

PROPRIETARY NOTE

THIS SPECIFICATION IS THE PROPERTY OF BOE BJ AND SHALL NOT BE REPRODUCED OR COPIED WITHOUT THE WRITTEN PERMISSION OF BOE BJ AND MUST BE RETURNED TO BOE BJ UPON ITS REQUEST



SPEC. NUMBER

PRODUCT GROUP

Rev.

ISSUE DATE

PAGE

TFT-LCD

O

2015.7.20

1 OF 35

NV156FHM-A11

Product Specification

Rev. O

HEFEI XINSHENG OPTOELECTRONICS TECHNOLOGY CO.,LTD

PRODUCT GROUP

REV

ISSUE DATE



TFT- LCD PRODUCT

O

2015.7.20

SPEC. NUMBER

SPEC. TITLE

NV156FHM-A11 Product Specification

PAGE

2 OF 35

REVISION HISTORY

| REV. | ECN No. | DESCRIPTION OF CHANGES | DATE | PREPARED |
|------|---------|------------------------|-----------|----------|
| P0 | - | Initial Release | 2015.1.24 | 张鹏宇 |
| P1 | - | Final Release | 2015.7.16 | 张鹏宇 |
| O | - | Product Spec | 2015.7.20 | 张鹏宇 |
| | | | | |
| | | | | |
| | | | | |
| | | | | |
| | | | | |
| | | | | |
| | | | | |
| | | | | |

PRODUCT GROUP

REV

ISSUE DATE

BOE

TFT- LCD PRODUCT

O

2015.7.20

SPEC. NUMBER

SPEC. TITLE

NV156FHM-A11 Product Specification

PAGE

3 OF 35

Contents

| No. | Items | Page |
|------|--|------|
| | REVISION HISTORY | 2 |
| | CONTENTS | 3 |
| 1.0 | General Description | 4 |
| 2.0 | Absolute Maximum ratings | 7 |
| 3.0 | Electrical specifications. | 8 |
| 4.0 | Optical specifications. | 11 |
| 5.0 | Interface Connection | 16 |
| 6.0 | Signal Timing Specification | 19 |
| 7.0 | Input Signals, Display Colors & Gray Scale of Colors | 21 |
| 8.0 | Power Sequence | 22 |
| 9.0 | Connector description | 23 |
| 10.0 | Reliability Test | 24 |
| 11.0 | Handling & Cautions. | 24 |
| 12.0 | Label | 25 |
| 13.0 | Packing information | 27 |
| 14.0 | Mechanical Outline Dimension | 28 |
| 15.0 | EDID Table | 32 |

1.0 General Description

1.1 Application

- Notebook PC With Touch function

1.2 General Specification

1.2.1.General Total Solution Specification(Table 1.)

<Table 1. General Specifications>

| Parameter | Specification | Unit | Remarks |
|---------------------|--|--------|---------|
| Active area | 344.16 (H) × 193.59 (V) | mm | |
| Number of pixels | 1920 (H) × 1080 (V) | pixels | |
| Pixel pitch | 0.17925 (H) X 0.17925 (V) | mm | |
| Pixel arrangement | RGB Vertical stripe | | |
| Display colors | 262K | colors | |
| Display mode | Normally Black | | |
| Dimensional outline | 359.5(H)*223.8 (V) (without OGS)*3.2(Max) 374.9(H)*236.4(V) (with OGS)*4.2(Max) | mm | |
| Weight | 380(max) (without OGS) 563(max) (with OGS) | g | |
| Back-light | Lower Down side, 1-LED Lighting Bar type | | Note 1 |
| Power consumption | P _D : 1.6 (max) | W | |
| | P _{BL} :2.98(max) | W | |
| | P _{total} :4.58(max) | W | |

1.2 .2. Mechanical Characteristics(Table 2.)

<Table 2. Mechanical Characteristics>

| Parameter | Specification | Unit | Remarks |
|------------------------|---------------------------|------|---------|
| TP Technology | PCT(Projected Capacitive) | - | |
| Touch Structure | OGS | | |
| OGS Overall Size | X:374.9±0.15×Y:236.4±0.1 | [mm] | |
| TP View Area | X:345.56±0.1×Y:195.99±0.1 | [mm] | |
| TP Active Area | TBD | [mm] | |
| Total Thickness | 4.3Max | [mm] | |
| Surface Treatment | AS coating | - | |
| Surface Hardness | ≥7H | - | |
| OGS Sensor Thickness | 0.7 (SDL Glass) | [mm] | |
| Bonding Mode | Directing Bonding | - | |
| ASF (Anti-Split Film) | No | | |
| Anti-Water | No | | |
| Transmittance | ≥90 | % | |
| Strength | 4PB B10 ≥350 | Mpa | |
| Weight | 563 Max | g | |

Notes : 1. LED Lighting Bar (40*LED Array)

1.2 .3.Electrical characteristics(Table 3.)

<Table 3. Electrical characteristics>

| Parameter | Specification | Unit | Remarks |
|--------------------|--|------|---------|
| TP Technology | PCT(Projected Capacitive) | - | |
| Touch Structure | OGS | | |
| System OS | Win8.x/Win10/Linux and follow MRD requirements | | |
| Control Board Form | PCBA+FPC | - | |
| Control Board Size | 90*11 | [mm] | |
| Type of Master IC | Wacom G11 | | |
| Number of Tx / Rx | Tx: 72 Rx: 46 | | |
| VDD | 5 | [V] | |
| Interface | USB | - | |
| Touch Points (min) | 10 | - | |
| Auto Calibration | Yes | | |
| Passive pen | Yes | | |

Notes : 1. LED Lighting Bar (40*LED Array)

2.0 ABSOLUTE MAXIMUM RATINGS

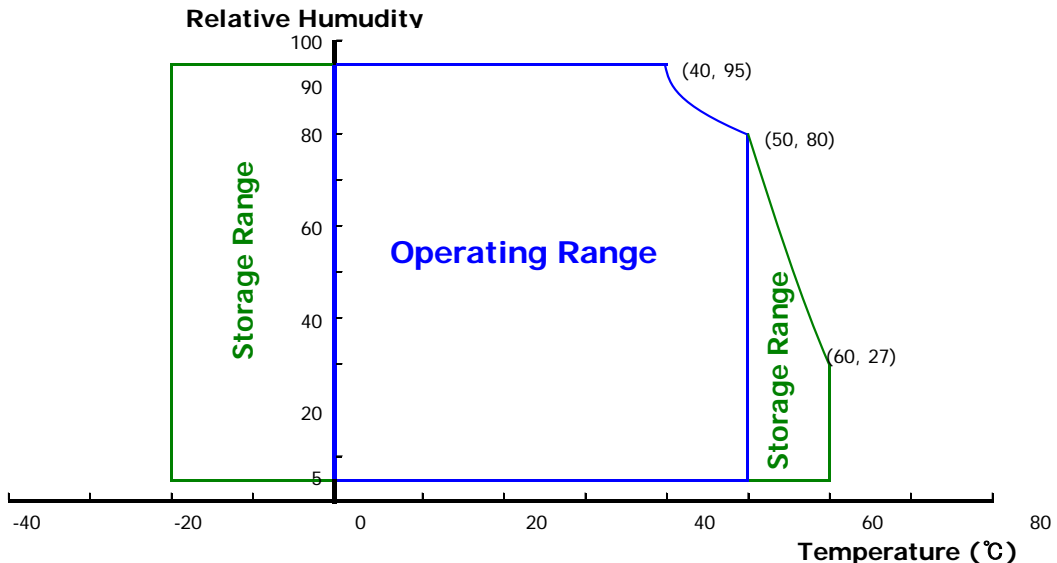
The followings are maximum values which, if exceed, may cause faulty operation or damage to the unit. The operational and non-operational maximum voltage and current values are listed in Table 4.

< Table 4. Absolute Maximum Ratings >

Ta=25+/-2°C

| Parameter | Symbol | Min. | Max. | Unit | Remarks |
|-----------------------|-----------------|----------------------|----------------------|------|---------|
| Power Supply Voltage | V _{DD} | -0.3 | 4.0 | V | Note 1 |
| Logic Supply Voltage | V _{IN} | V _{SS} -0.3 | V _{DD} +0.3 | V | |
| Operating Temperature | T _{OP} | 0 | +50 | °C | Note 2 |
| Storage Temperature | T _{ST} | -20 | +60 | °C | |

- Notes :
- Permanent damage to the device may occur if maximum values are exceeded functional operation should be restricted to the condition described under normal operating conditions.
 - Temperature and relative humidity range are shown in the figure below.
 95 % RH Max. (40 °C ≥ Ta)
 Maximum wet - bulb temperature at 39 °C or less. (Ta > 40 °C) No condensation.



3.0 ELECTRICAL SPECIFICATIONS

3.1 Electrical Specifications

< Table 5. Electrical specifications >

Ta=25+/-2°C

| Parameter | | Min. | Typ. | Max. | Unit | Remarks |
|----------------------------------|--------------------|------|------|------|------|---------------------------|
| Power Supply Voltage | V _{DD} | 3.0 | 3.3 | 3.6 | V | Note 1 |
| Permissible Input Ripple Voltage | V _{RF} | - | - | 100 | mV | At V _{DD} = 3.3V |
| Power Supply Current | I _{DD} | - | TBD | - | mA | Note 1 |
| Differential Input Voltage | V _{ID} | 200 | - | 600 | mV | |
| Power Consumption | P _D | - | 1.0 | 1.6 | W | Note 1 |
| | P _{BL} | - | - | 2.98 | W | Note 2 |
| | P _{total} | - | - | 4.58 | W | |

Notes : 1. The supply voltage is measured and specified at the interface connector of LCM.
The current draw and power consumption specified is for 3.3V at 25°C.

a) Typ : Mosaic Pattern

b) Max : R/G/B Pattern



2. Calculated value for reference (V_{LED} × I_{LED})

3.2 Backlight Unit

< Table 6. LED Driving guideline specifications >

Ta=25+/-2°C

| Parameter | | Min. | Typ. | Max. | Unit | Remarks |
|-------------------------------------|------------------|--------|------|--------|------|-----------------------|
| LED Forward Voltage | V _F | - | - | 3.0 | V | - |
| LED Forward Current | I _F | - | 21.6 | - | mA | - |
| LED Power Consumption | P _{LED} | | - | 2.98 | W | Note 1 |
| LED Life-Time | N/A | 15,000 | - | - | Hour | I _F = 20mA |
| Power supply voltage for LED Driver | V _{LED} | 5 | 12 | 21 | V | |
| EN Control Level | Backlight on | 2.5 | | 5.0 | V | |
| | Backlight off | 0 | | 1.0 | V | |
| PWM Control Level | PWM High Level | 2.5 | | 5.0 | V | |
| | PWM Low Level | 0 | | 0.1 | V | |
| PWM Control Frequency | F _{PWM} | 100 | - | 10,000 | Hz | |
| Duty Ratio | - | 1 | - | 100 | % | Note3 |

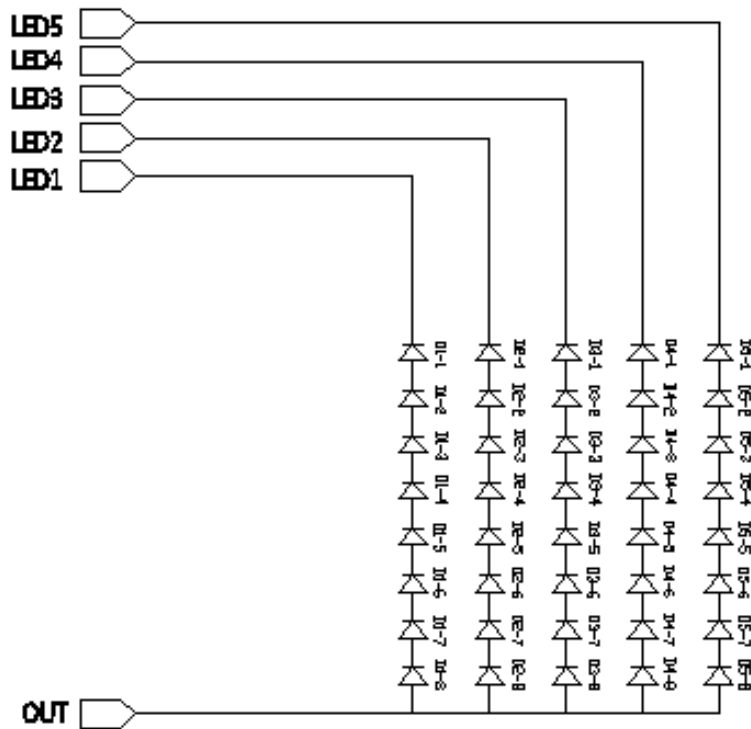
Notes : 1. Power supply voltage 12V for LED Driver

Calculator Value for reference $I_F \times V_F \times 40 / \text{efficiency} = P_{LED}$

2. The LED Life-time define as the estimated time to 50% degradation of initial luminous.

3. 1% duty cycle is achievable with a dimming frequency less than 1KHz.

3.3 LED structure



4.0 OPTICAL SPECIFICATION

4.1 Overview

The test of Optical specifications shall be measured in a dark room (ambient luminance ≤ 1 lux and temperature = $25\pm 2^{\circ}\text{C}$) with the equipment of Luminance meter system (Goniometer system and PR730) and test unit shall be located at an approximate distance 50cm from the LCD surface at a viewing angle of θ and Φ equal to 0° . We refer to $\theta\theta=0$ ($=\theta_3$) as the 3 o'clock direction (the "right"), $\theta\theta=90$ ($=\theta_{12}$) as the 12 o'clock direction ("upward"), $\theta\theta=180$ ($=\theta_9$) as the 9 o'clock direction ("left") and $\theta\theta=270$ ($=\theta_6$) as the 6 o'clock direction ("bottom"). While scanning θ and/or Φ , the center of the measuring spot on the Display surface shall stay fixed. The backlight should be operating for 30 minutes prior to measurement. VDD shall be $3.3\pm 0.3\text{V}$ at 25°C . Optimum viewing angle direction is 6 'clock.

4.2 Optical Specifications

<Table 7. Optical Specifications>

| Parameter | Symbol | Condition | Min. | Typ. | Max. | Unit | Remark | |
|----------------------------------|------------|--|---|-------|-------|-------------------|--------|-------|
| Viewing Angle range | Horizontal | CR > 10 | - | 85 | - | Deg. | Note 1 | |
| | | | | 85 | - | Deg. | | |
| | Vertical | | | 85 | - | Deg. | | |
| | | | | 85 | - | Deg. | | |
| Luminance Contrast ratio | CR | $\Theta = 0^{\circ}$ | - | 800 | | Note 2 | | |
| Luminance of White | 5 Points | Y_w | $\Theta = 0^{\circ}$ $I_{LED} = 21.6\text{mA}$ | - | 220 | cd/m ² | Note 3 | |
| White Luminance uniformity | 5 Points | ΔY_5 | | 80 | - | - | Note 4 | |
| | 13 Points | ΔY_{13} | | 65 | - | - | Note 4 | |
| White Chromaticity | x_w | $\Theta = 0^{\circ}$ | 0.283 | 0.313 | 0.343 | | Note 5 | |
| | y_w | | 0.299 | 0.329 | 0.359 | | | |
| Reproduction of color | Red | $\Theta = 0^{\circ}$ | -0.03 | 0.590 | +0.03 | | | |
| | | | | y_R | | | | 0.350 |
| | Green | | | x_G | | | | 0.330 |
| | | | | y_G | | | | 0.555 |
| | Blue | | | x_B | | | | 0.153 |
| | | | | y_B | | | | 0.119 |
| Gamut | | | | 45 | | % | | |
| Response Time (Rising + Falling) | T_{RT} | $T_a = 25^{\circ}\text{C}$ $\Theta = 0^{\circ}$ | - | 30 | 35 | ms | Note 6 | |
| Cross Talk | CT | $\Theta = 0^{\circ}$ | - | - | 2.0 | % | Note 7 | |

Notes :

1. Viewing angle is the angle at which the contrast ratio is greater than 10. The viewing angles are determined for the horizontal or 3, 9 o'clock direction and the vertical or 6, 12 o'clock direction with respect to the optical axis which is normal to the LCD surface (see FIGURE 1).

2. Contrast measurements shall be made at viewing angle of $\Theta = 0$ and at the center of the LCD surface. Luminance shall be measured with all pixels in the view field set first to white, then to the dark (black) state .

(see FIGURE 1) Luminance Contrast Ratio (CR) is defined mathematically.

$$CR = \frac{\text{Luminance when displaying a white raster}}{\text{Luminance when displaying a black raster}}$$

3. Center Luminance of white is defined as luminance values of 5 point average across the LCD surface. Luminance shall be measured with all pixels in the view field set first to white. This measurement shall be taken at the locations shown in FIGURE 2 for a total of the measurements per display.

4. The White luminance uniformity on LCD surface is then expressed as : $\Delta Y = \text{Minimum Luminance of 5(or 13) points} / \text{Maximum Luminance of 5(or 13) points}$.

(see FIGURE 2 and FIGURE 3).

5. The color chromaticity coordinates specified in Table 5 shall be calculated from the spectral data measured with all pixels first in red, green, blue and white. Measurements shall be made at the center of the panel.

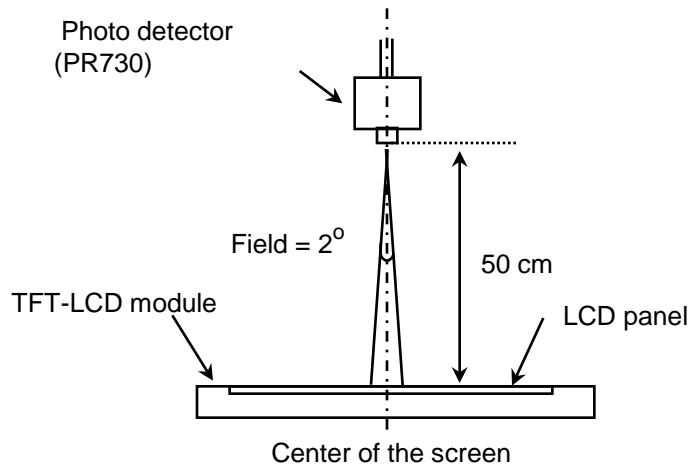
6. The electro-optical response time measurements shall be made as FIGURE 4 by switching the "data" input signal ON and OFF. The times needed for the luminance to change from 10% to 90% is T_r , and 90% to 10% is T_d .

7. Cross-Talk of one area of the LCD surface by another shall be measured by comparing the luminance (Y_A) of a 25mm diameter area, with all display pixels set to a gray level, to the luminance (Y_B) of that same area when any adjacent area is driven dark.

(See FIGURE 5).

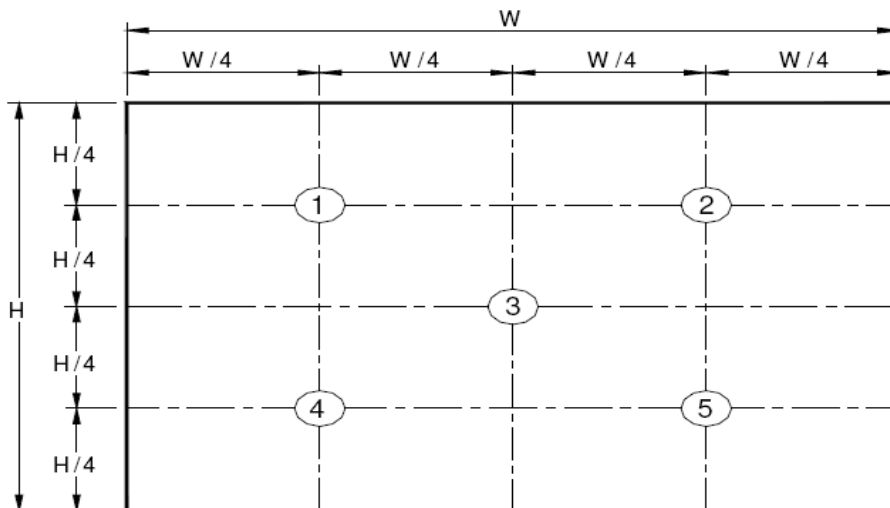
4.3 Optical measurements

Figure 1. Measurement Set Up



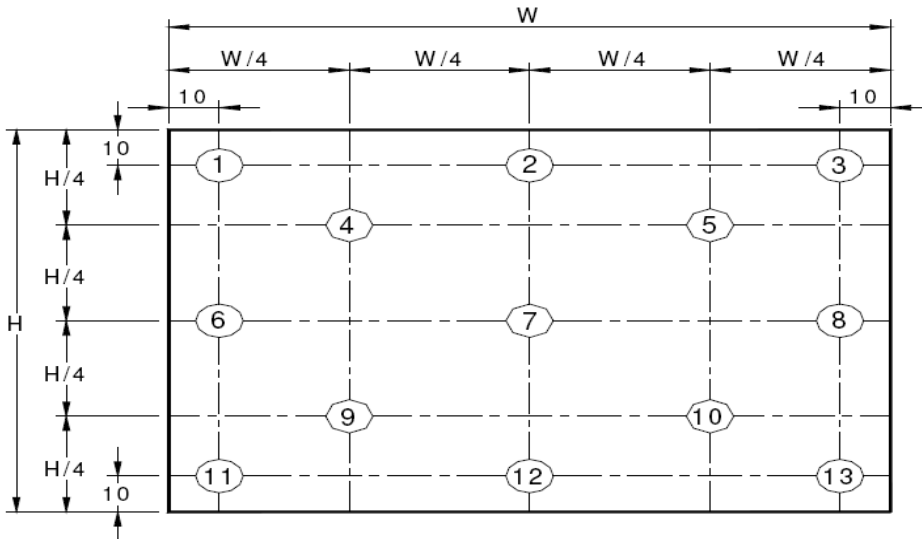
Optical characteristics measurement setup

Figure 2. White Luminance and Uniformity Measurement Locations (5 points)



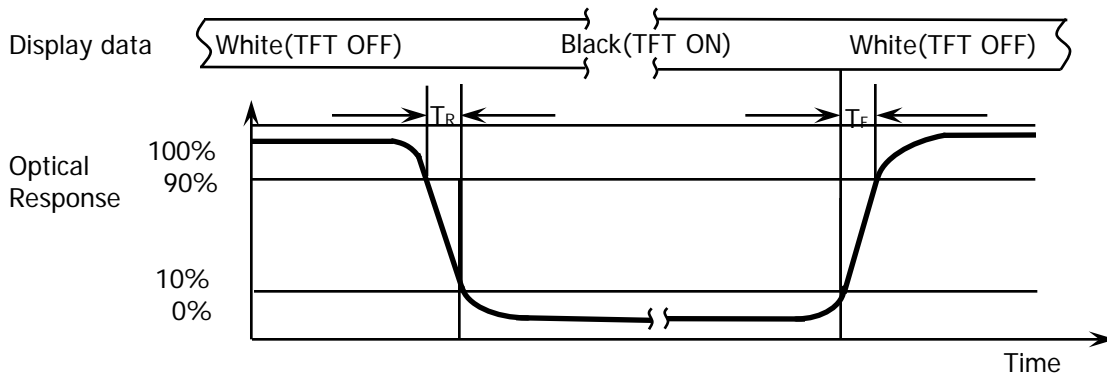
Center Luminance of white is defined as luminance values of center 5 points across the LCD surface. Luminance shall be measured with all pixels in the view field set first to white. This measurement shall be taken at the locations shown in FIGURE 2 for a total of the measurements per display.

Figure 3. Uniformity Measurement Locations (13 points)



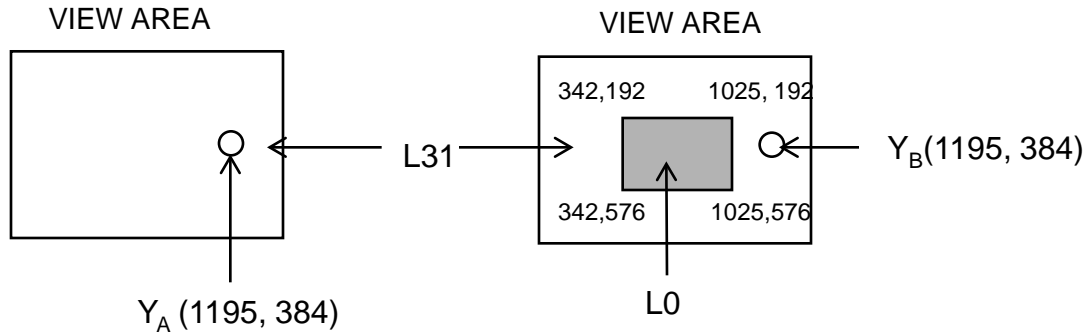
The White luminance uniformity on LCD surface is then expressed as : $\Delta Y_5 = \text{Minimum Luminance of five points} / \text{Maximum Luminance of five points}$ (see FIGURE 2) , $\Delta Y_{13} = \text{Minimum Luminance of 13 points} / \text{Maximum Luminance of 13 points}$ (see FIGURE 3).

Figure 4. Response Time Testing



The electro-optical response time measurements shall be made as shown in FIGURE 4 by switching the “data” input signal ON and OFF. The times needed for the luminance to change from 10% to 90% is T_d and 90% to 10% is T_r .

Figure 5. Cross Modulation Test Description



$$\text{Cross-Talk (\%)} = \left| \frac{Y_B - Y_A}{Y_A} \right| \times 100$$

Where:

Y_A = Initial luminance of measured area (cd/m^2)

Y_B = Subsequent luminance of measured area (cd/m^2)

The location measured will be exactly the same in both patterns

Cross-Talk of one area of the LCD surface by another shall be measured by comparing the luminance (Y_A) of a 25mm diameter area, with all display pixels set to a gray level, to the luminance (Y_B) of that same area when any adjacent area is driven dark (Refer to FIGURE 5).

5.0 INTERFACE CONNECTION.**5.1 Electrical Interface Connection**

The electronics interface connector is UJU IS050-L30B-C10 or Compatible.

The LCM connector interface pin assignments are listed in Table 8.

<Table 8. Pin Assignments for the LCM Interface Connector>

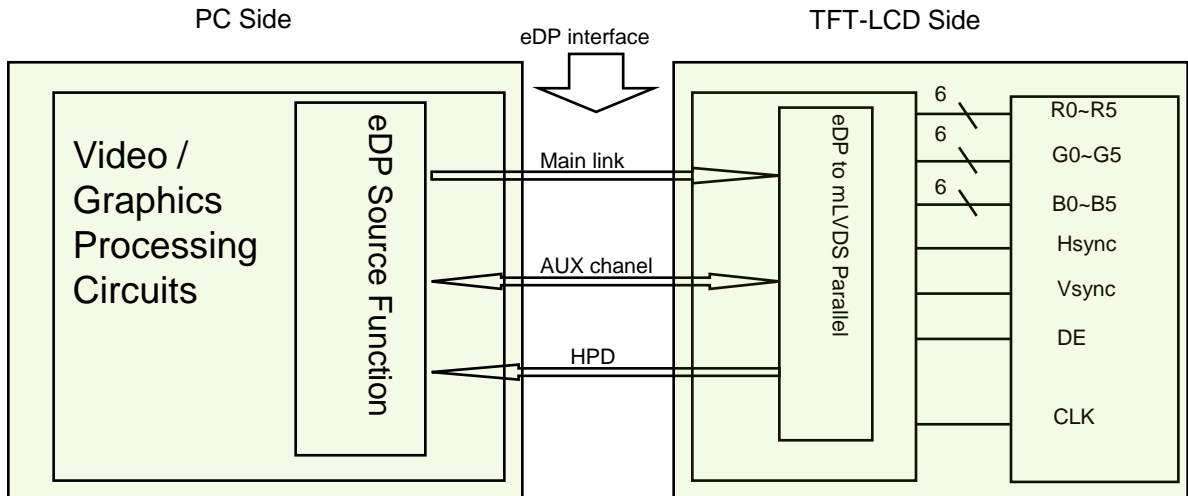
| Terminal | Symbol | Functions |
|----------|---------------|-----------------------------|
| Pin No. | Symbol | Description |
| 1 | CABC_ENABLE | Test enable |
| 2 | H_GND | Ground |
| 3 | LANE1_N | eDP RX channel 1 negative |
| 4 | LANE1_P | eDP RX channel 1 positive |
| 5 | H_GND | Ground |
| 6 | LANE0_N | eDP RX channel 0 negative |
| 7 | LANE0_P | eDP RX channel 0 positive |
| 8 | H_GND | Ground |
| 9 | AUX_CH_P | eDP AUX CH positive |
| 10 | AUX_CH_N | eDP AUX CH negative |
| 11 | H_GND | Ground |
| 12 | LCD_VCC | Power Supply, 3.3V (typ.) |
| 13 | LCD_VCC | Power Supply, 3.3V (typ.) |
| 14 | LCD_Self_Test | Panel self test enable |
| 15 | H_GND | Ground |
| 16 | H_GND | Ground |
| 17 | HPD | Hot plug detect output |
| 18 | BL_GND | LED Ground |
| 19 | BL_GND | LED Ground |
| 20 | BL_GND | LED Ground |
| 21 | BL_GND | LED Ground |
| 22 | BL_ENABLE | LED enable pin(+3.3V Input) |
| 23 | BL_PWM | System PWM Signal Input |
| 24 | Hsync | 预留Hsync, 暂不开启 |
| 25 | NC | No Connection |
| 26 | BL_POWER | LED Power Supply 5V-21V |
| 27 | BL_POWER | LED Power Supply 5V-21V |
| 28 | BL_POWER | LED Power Supply 5V-21V |
| 29 | BL_POWER | LED Power Supply 5V-21V |
| 30 | NC | No Connection |

The OGS connector interface pin assignments are listed in Table 9.

<Table 9. Pin Assignments for the OGS Interface Connector>

| Terminal | Symbol | Functions |
|----------|---------|----------------|
| Pin No. | Symbol | Description |
| 1 | USB_DP | USB D+ Pin |
| 2 | USB_DM | USB D- Pin |
| 3 | STOP | - |
| 4 | VDD(5V) | TP INPUT |
| 5 | Hsync | For active pen |
| 6 | GND | Ground |

5-2. eDP Interface



Note. Transmitter : NT71895QG or equivalent.
 Transmitter is not contained in Module.

5.3.eDP Input signal

| Lane 0 | |
|--------|--------|
| R0-5:0 | G0-5:4 |
| G0-3:0 | B0-5:2 |
| B0-1:0 | R1-5:0 |
| G1-5:0 | B1-5:4 |
| B1-3:0 | R2-5:2 |
| R2-1:0 | G2-5:0 |
| B2-5:0 | R3-5:4 |
| R3-3:0 | G3-5:2 |
| G3-1:0 | B3-5:0 |

5.4 Back-light & LCM Interface Connection

Interface Connector: **CRT F10401-1092**

<Table 10. Pin Assignments for the BLU & LCM Connector>

| Pin No. | Symbol | Description | Pin No. | Symbol | Description |
|---------|--------|------------------------|---------|--------|----------------------|
| 1 | LED1 | LED cathode connection | 6 | NC | No Connection |
| 2 | LED2 | LED cathode connection | 7 | NC | No Connection |
| 3 | LED3 | LED cathode connection | 8 | Vout | LED anode connection |
| 4 | LED4 | LED cathode connection | 9 | Vout | LED anode connection |
| 5 | LED5 | LED cathode connection | 10 | Vout | LED anode connection |

6.0 SIGNAL TIMING SPECIFICATION

6.1 The NT156FHM-A11 is operated by the DE only.

| Item | | Symbols | Min | Typ | Max | Unit |
|---------------------------|-----------|---------|------|-------|------|--------|
| Clock | Frequency | 1/Tc | 100 | 141.4 | 160 | MHz |
| | High Time | Tch | - | 4/7 | - | Tc |
| | Low Time | Td | - | 3/7 | - | Tc |
| Frame Period | | Tv | 1090 | 1100 | 1238 | lines |
| | | | - | 60 | - | Hz |
| | | | - | 16.7 | - | ms |
| Vertical Display Period | | Tvd | - | 1080 | - | lines |
| One line Scanning Period | | Th | 2080 | 2142 | 2400 | clocks |
| Horizontal Display Period | | Thd | - | 1920 | - | clocks |

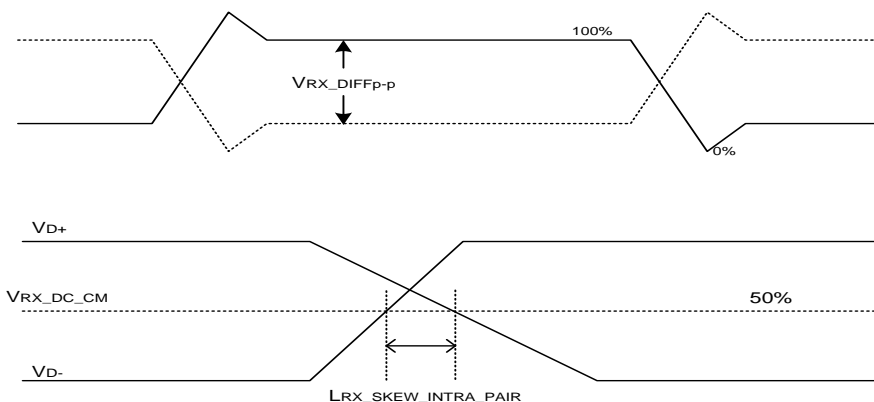
Note*: This Module can support low frame refresh rate 50Hz & 40Hz.

6.2 eDP Rx Interface Timing Parameter

The specification of the eDP Rx interface timing parameter is shown in Table 8.

<Table 11. eDP Rx Interface Timing Specification>

| Item | Symbol | Min | Typ | Max | Unit | Remark |
|---|---------------------|-----|-----|------|----------|--------|
| Spread spectrum clock | SSC | | 0.5 | | % | |
| Differential peak-to-peak input voltage at package pins | VRX-DIFFp-p | 100 | 0 | 1320 | mV | |
| Rx input DC common mode voltage | VRX_DC_CM | - | GND | - | V | |
| Differential termination resistance | RRX-DIFF | 80 | - | 100 | Ω | |
| Single-ended termination resistance | RRX-SE | 40 | - | 60 | Ω | |
| Rx short circuit current limit | IRX_SHORT | - | - | 20 | mA | |
| Intra-pair skew at Rx package pins (HBR) RX intra-pair skew tolerance at HBR | LRX_SKEW_INTRA_PAIR | - | - | 150 | ps | |

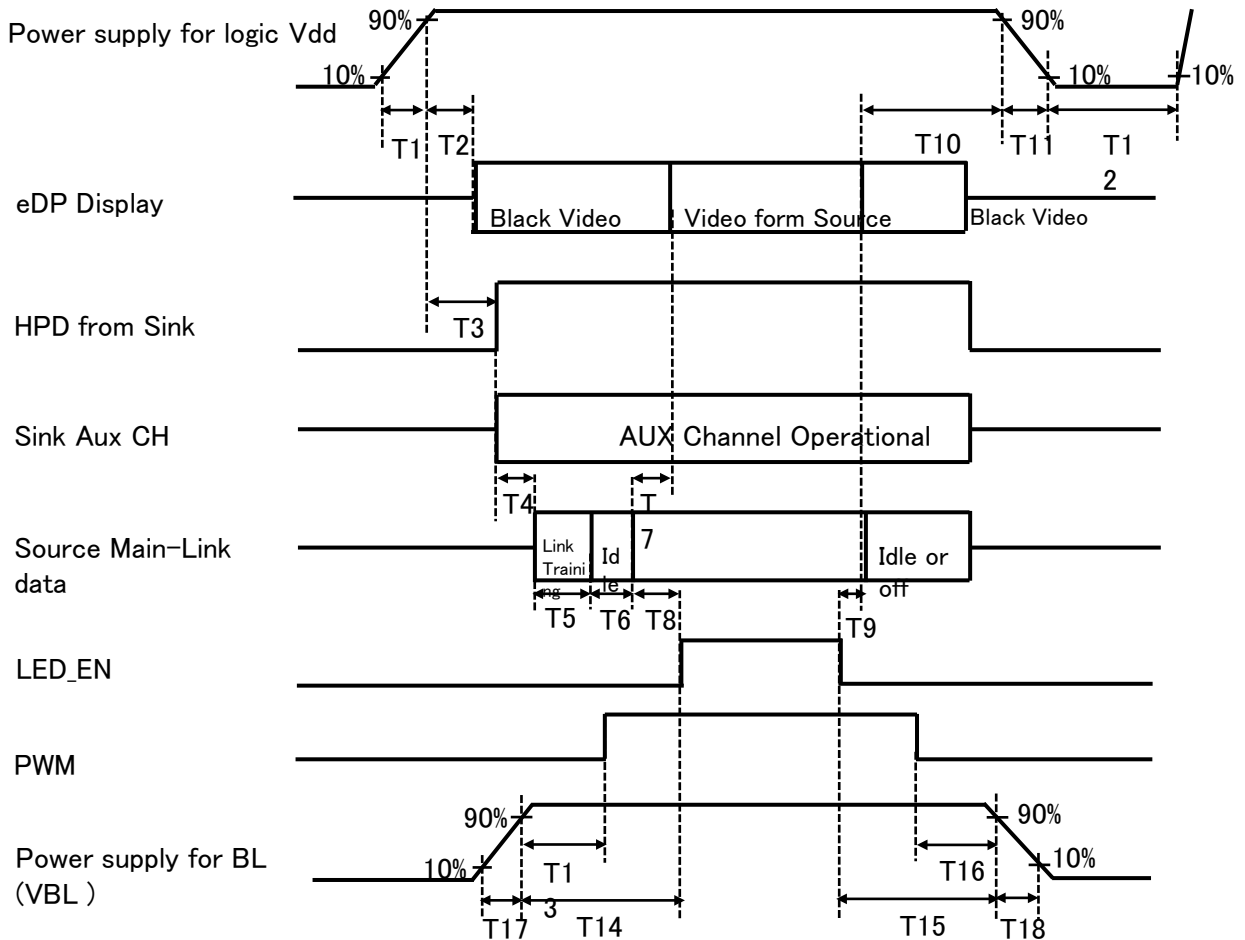


7.0 INPUT SIGNALS, BASIC DISPLAY COLORS & GRAY SCALE OF COLORS

| | Colors & Gray scale | Data signal | | | | | | | | | | | | | | | | | |
|-----------------------------|---------------------|-------------|----|----|----|----|----|----|----|----|----|----|----|----|----|----|----|----|----|
| | | R0 | R1 | R2 | R3 | R4 | R5 | G0 | G1 | G2 | G3 | G4 | G5 | B0 | B1 | B2 | B3 | B4 | B5 |
| Basic colors | Black | 0 | 0 | 0 | 0 | 0 | 0 | 0 | 0 | 0 | 0 | 0 | 0 | 0 | 0 | 0 | 0 | 0 | 0 |
| | Blue | 0 | 0 | 0 | 0 | 0 | 0 | 0 | 0 | 0 | 0 | 0 | 0 | 1 | 1 | 1 | 1 | 1 | 1 |
| | Green | 0 | 0 | 0 | 0 | 0 | 0 | 1 | 1 | 1 | 1 | 1 | 1 | 0 | 0 | 0 | 0 | 0 | 0 |
| | Light Blue | 0 | 0 | 0 | 0 | 0 | 0 | 1 | 1 | 1 | 1 | 1 | 1 | 1 | 1 | 1 | 1 | 1 | 1 |
| | Red | 1 | 1 | 1 | 1 | 1 | 1 | 0 | 0 | 0 | 0 | 0 | 0 | 0 | 0 | 0 | 0 | 0 | 0 |
| | Purple | 1 | 1 | 1 | 1 | 1 | 1 | 0 | 0 | 0 | 0 | 0 | 0 | 1 | 1 | 1 | 1 | 1 | 1 |
| | Yellow | 1 | 1 | 1 | 1 | 1 | 1 | 1 | 1 | 1 | 1 | 1 | 1 | 0 | 0 | 0 | 0 | 0 | 0 |
| | White | 1 | 1 | 1 | 1 | 1 | 1 | 1 | 1 | 1 | 1 | 1 | 1 | 1 | 1 | 1 | 1 | 1 | 1 |
| Gray scale of Red | Black | 0 | 0 | 0 | 0 | 0 | 0 | 0 | 0 | 0 | 0 | 0 | 0 | 0 | 0 | 0 | 0 | 0 | 0 |
| | △ | 1 | 0 | 0 | 0 | 0 | 0 | 0 | 0 | 0 | 0 | 0 | 0 | 0 | 0 | 0 | 0 | 0 | 0 |
| | Darker | 0 | 1 | 0 | 0 | 0 | 0 | 0 | 0 | 0 | 0 | 0 | 0 | 0 | 0 | 0 | 0 | 0 | 0 |
| | △ | | | | ↑ | | | | | | ↑ | | | | | | ↑ | | |
| | ▽ | | | | ↓ | | | | | | ↓ | | | | | | ↓ | | |
| | Brighter | 1 | 0 | 1 | 1 | 1 | 1 | 0 | 0 | 0 | 0 | 0 | 0 | 0 | 0 | 0 | 0 | 0 | 0 |
| | ▽ | 0 | 1 | 1 | 1 | 1 | 1 | 0 | 0 | 0 | 0 | 0 | 0 | 0 | 0 | 0 | 0 | 0 | 0 |
| | Red | 1 | 1 | 1 | 1 | 1 | 1 | 0 | 0 | 0 | 0 | 0 | 0 | 0 | 0 | 0 | 0 | 0 | 0 |
| Gray scale of Green | Black | 0 | 0 | 0 | 0 | 0 | 0 | 0 | 0 | 0 | 0 | 0 | 0 | 0 | 0 | 0 | 0 | 0 | 0 |
| | △ | 0 | 0 | 0 | 0 | 0 | 0 | 1 | 0 | 0 | 0 | 0 | 0 | 0 | 0 | 0 | 0 | 0 | 0 |
| | Darker | 0 | 0 | 0 | 0 | 0 | 0 | 0 | 1 | 0 | 0 | 0 | 0 | 0 | 0 | 0 | 0 | 0 | 0 |
| | △ | | | | ↑ | | | | | | ↑ | | | | | | ↑ | | |
| | ▽ | | | | ↓ | | | | | | ↓ | | | | | | ↓ | | |
| | Brighter | 0 | 0 | 0 | 0 | 0 | 0 | 1 | 0 | 1 | 1 | 1 | 1 | 0 | 0 | 0 | 0 | 0 | 0 |
| | ▽ | 0 | 0 | 0 | 0 | 0 | 0 | 0 | 1 | 1 | 1 | 1 | 1 | 0 | 0 | 0 | 0 | 0 | 0 |
| | Green | 0 | 0 | 0 | 0 | 0 | 0 | 1 | 1 | 1 | 1 | 1 | 1 | 0 | 0 | 0 | 0 | 0 | 0 |
| Gray scale of Blue | Black | 0 | 0 | 0 | 0 | 0 | 0 | 0 | 0 | 0 | 0 | 0 | 0 | 0 | 0 | 0 | 0 | 0 | 0 |
| | △ | 0 | 0 | 0 | 0 | 0 | 0 | 0 | 0 | 0 | 0 | 0 | 0 | 1 | 0 | 0 | 0 | 0 | 0 |
| | Darker | 0 | 0 | 0 | 0 | 0 | 0 | 0 | 0 | 0 | 0 | 0 | 0 | 0 | 1 | 0 | 0 | 0 | 0 |
| | △ | | | | ↑ | | | | | | ↓ | | | | | | ↑ | | |
| | ▽ | | | | ↓ | | | | | | ↓ | | | | | | ↓ | | |
| | Brighter | 0 | 0 | 0 | 0 | 0 | 0 | 0 | 0 | 0 | 0 | 0 | 0 | 1 | 0 | 1 | 1 | 1 | 1 |
| | ▽ | 0 | 0 | 0 | 0 | 0 | 0 | 0 | 0 | 0 | 0 | 0 | 0 | 0 | 1 | 1 | 1 | 1 | 1 |
| | Blue | 0 | 0 | 0 | 0 | 0 | 0 | 0 | 0 | 0 | 0 | 0 | 0 | 1 | 1 | 1 | 1 | 1 | 1 |
| Gray scale of White & Black | Black | 0 | 0 | 0 | 0 | 0 | 0 | 0 | 0 | 0 | 0 | 0 | 0 | 0 | 0 | 0 | 0 | 0 | 0 |
| | △ | 1 | 0 | 0 | 0 | 0 | 0 | 1 | 0 | 0 | 0 | 0 | 0 | 1 | 0 | 0 | 0 | 0 | 0 |
| | Darker | 0 | 1 | 0 | 0 | 0 | 0 | 0 | 1 | 0 | 0 | 0 | 0 | 0 | 1 | 0 | 0 | 0 | 0 |
| | △ | | | | ↑ | | | | | | ↑ | | | | | | ↑ | | |
| | ▽ | | | | ↓ | | | | | | ↓ | | | | | | ↓ | | |
| | Brighter | 1 | 0 | 1 | 1 | 1 | 1 | 1 | 0 | 1 | 1 | 1 | 1 | 1 | 0 | 1 | 1 | 1 | 1 |
| | ▽ | 0 | 1 | 1 | 1 | 1 | 1 | 0 | 1 | 1 | 1 | 1 | 1 | 0 | 1 | 1 | 1 | 1 | 1 |
| | White | 1 | 1 | 1 | 1 | 1 | 1 | 1 | 1 | 1 | 1 | 1 | 1 | 1 | 1 | 1 | 1 | 1 | 1 |

8.0 POWER SEQUENCE

To prevent a latch-up or DC operation of the LCD module, the power on/off sequence shall be as shown in below



- 0.5ms ≤ T1 ≤ 10 ms
- 0ms ≤ T2 ≤ 200 ms
- 0ms ≤ T3 ≤ 200 ms
- 0ms ≤ T13
- 0ms ≤ T14
- 0ms ≤ T17
- 0ms ≤ T7 ≤ 50ms
- 0ms ≤ T10 ≤ 500 ms
- 0 ms ≤ T11 ≤ 10 ms
- 150ms ≤ T12
- 0ms ≤ T15
- 0ms ≤ T16
- 0ms ≤ T18

Notes:

1. When the power supply VDD is 0V, keep the level of input signals on the low or keep high impedance.
2. Do not keep the interface signal high impedance when power is on. Back Light must be turn on after power for logic and interface signal are valid.

9.0 Connector Description

Physical interface is described as for the connector on LCM.

These connectors are capable of accommodating the following signals and will be following components.

9.1 TFT LCD Module

| Connector Name /Description | For Signal Connector |
|-----------------------------|--------------------------------|
| Manufacturer | UJU or Compatible |
| Type/ Part Number | IS050-L30B-C10 or Compatible |
| Mating housing/ Part Number | I-PEX 20454-030T or Compatible |

10.0 RELIABILITY TEST

The Reliability test items and its conditions are shown in below.

<Table 12. Reliability test>

| No | Test Items | Conditions |
|----|---|---|
| 1 | High temperature storage test | Ta = 70°C/240h |
| 2 | Low temperature storage test | Ta = -30°C/240h |
| 3 | High temperature & high humidity operation test | Ta = 40°C, 90%RH, 240 hrs |
| 4 | High temperature operation test | Ta = 50 °C, 240 hrs |
| 5 | Low temperature operation test | Ta = 0 °C, 240 hrs |
| 6 | Thermal shock | Ta = -40 °C ↔ 80 °C (15min), 50 cycle |
| 7 | Vibration test (non-operating) | 2-200Hz/0.001-0.03PSD/Random/ ±X, ±Y,Z(30min) |
| 8 | Shock test (non-operating) | 220G, Half Sine Wave 2msec ±X, ±Y, ±Z Once for each direction |
| 9 | Electro-static discharge test (non-operating) | Air: ±15kV Contact: ±8kV |

11.0 HANDLING & CAUTIONS

(1) Cautions when taking out the module

- Pick the pouch only, when taking out module from a shipping package.

(2) Cautions for handling the module

- As the electrostatic discharges may break the LCD module, handle the LCD module with care. Peel a protection sheet off from the LCD panel surface as slowly as possible.
- As the LCD panel and back - light element are made from fragile glass material, impulse and pressure to the LCD module should be avoided.
- As the surface of the polarizer is very soft and easily scratched, use a soft dry cloth without chemicals for cleaning.
- Do not pull the interface connector in or out while the LCD module is operating.
- Put the module display side down on a flat horizontal plane.
- Handle connectors and cables with care.

(3) Cautions for the operation

- When the module is operating, do not lose CLK, ENAB signals. If any one of these signals is lost, the LCD panel would be damaged.
- Obey the supply voltage sequence. If wrong sequence is applied, the module would be damaged.

(4) Cautions for the atmosphere

- Dew drop atmosphere should be avoided.
- Do not store and/or operate the LCD module in a high temperature and/or humidity atmosphere. Storage in an electro-conductive polymer packing pouch and under relatively low temperature atmosphere is recommended.

(5) Cautions for the module characteristics

- Do not apply fixed pattern data signal to the LCD module at product aging.
- Applying fixed pattern for a long time may cause image sticking.

(6) Other cautions

- Do not disassemble and/or re-assemble LCD module.
- Do not re-adjust variable resistor or switch etc.
- When returning the module for repair or etc., Please pack the module not to be broken. We recommend to use the original shipping packages.

12.0 LABEL

(1) TLCM label

NV156FHM-A11

XXXXXXXXXXXXXXXXXXXX

CN-02DHX6-76691-
xxx-xxxx-a00

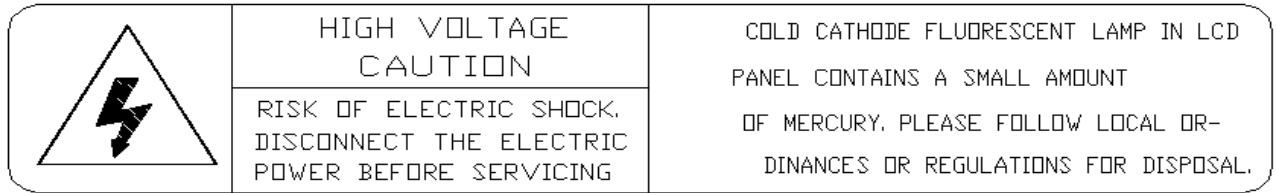
MADE IN CHINA

DP/N 02DHX6

TTL ID 编码规则

| 序列号 | 1 | 2 | 3 | 4 | 5 | 6 | 7 | 8 | 9 | 10 | 11 | 12 | 13 | 14 | 15 | 16 | 17 |
|-----|-----|---|----|------|---|---|------------|---|---|----|----|---------------|----|----|----|----|----|
| 代码 | S | L | S | T | 1 | 2 | 3 | 5 | 9 | 4 | 2 | 0 | 0 | 0 | 1 | D | B |
| 描述 | GBN | | 等级 | line | 年 | 月 | FG-Code后4位 | | | | | Serial Number | | | | | |

(2) High voltage caution label



(3) Box label



序列号标注部分需打印, 说明如下:

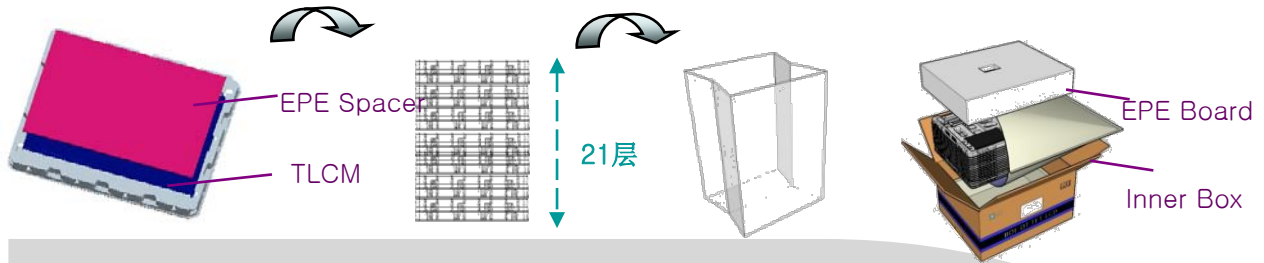
1. FG-CODE(前12位)
2. Total Quantity
3. Box ID
4. Packing Date
5. 客户端段物料号(客户端)---暂不打印,预留空间
6. FG-Code后四位
7. 供应商代码---暂不打印, 预留空间

Total Size:110×55mm

| 序列号 | 1 | 2 | 3 | 4 | 5 | 6 | 7 | 8 | 9 | 10 | 11 | 12 | 13 |
|-----|-------|---|----|-----|----|---|---|-----|---------------|----|----|----|----|
| 代码 | S | L | S | T | 1 | 4 | 3 | D | 0 | 0 | 1 | H | D |
| 描述 | GBN代码 | | 等级 | TM1 | 年份 | | 月 | Rev | Serial Number | | | | |

13.0 PACKING INFORMATION

13.1 Packing order



step 1

- Put 1pcs TLCM in the tray , then put 1 pcs Spacer
- Repeat the method, until to 20 floors , then put one tray empty;
- Put the 21EA Tray in the PE Bag;
- Total: 20pcs TLCM/21 Tray

step 2

- Put the PE Bag in the Inner Box with two EPE Board
- Total : 20pcs TLCM/Box

step 4

- Put the Pallet in the track
- Total: 44EA Pallet/Track, 10560pcs TLCM/Track

step 3

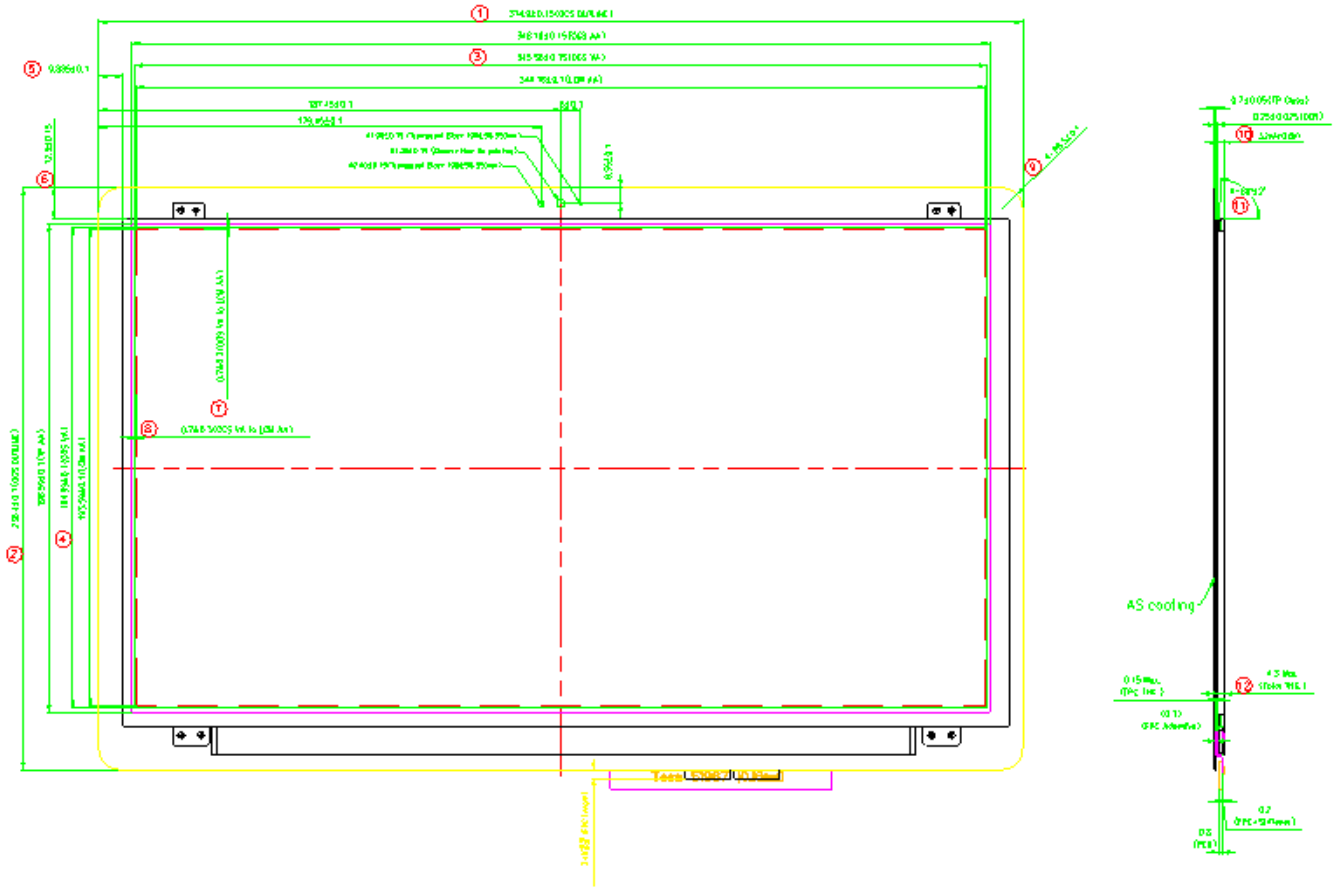
- Put Boxes on the Pallet
- 4EA Box/Floor ; Total 3 Floors
- Height: 1015mm (Contain the Pallet height)
- Total: 240pcs TLCM/Pallet

13.2 Notes

- Box Dimension: 540mm × 410mm × 295mm
- Package Quantity in one Box: 20 pcs
- Total Weight: 16.2kg/Box

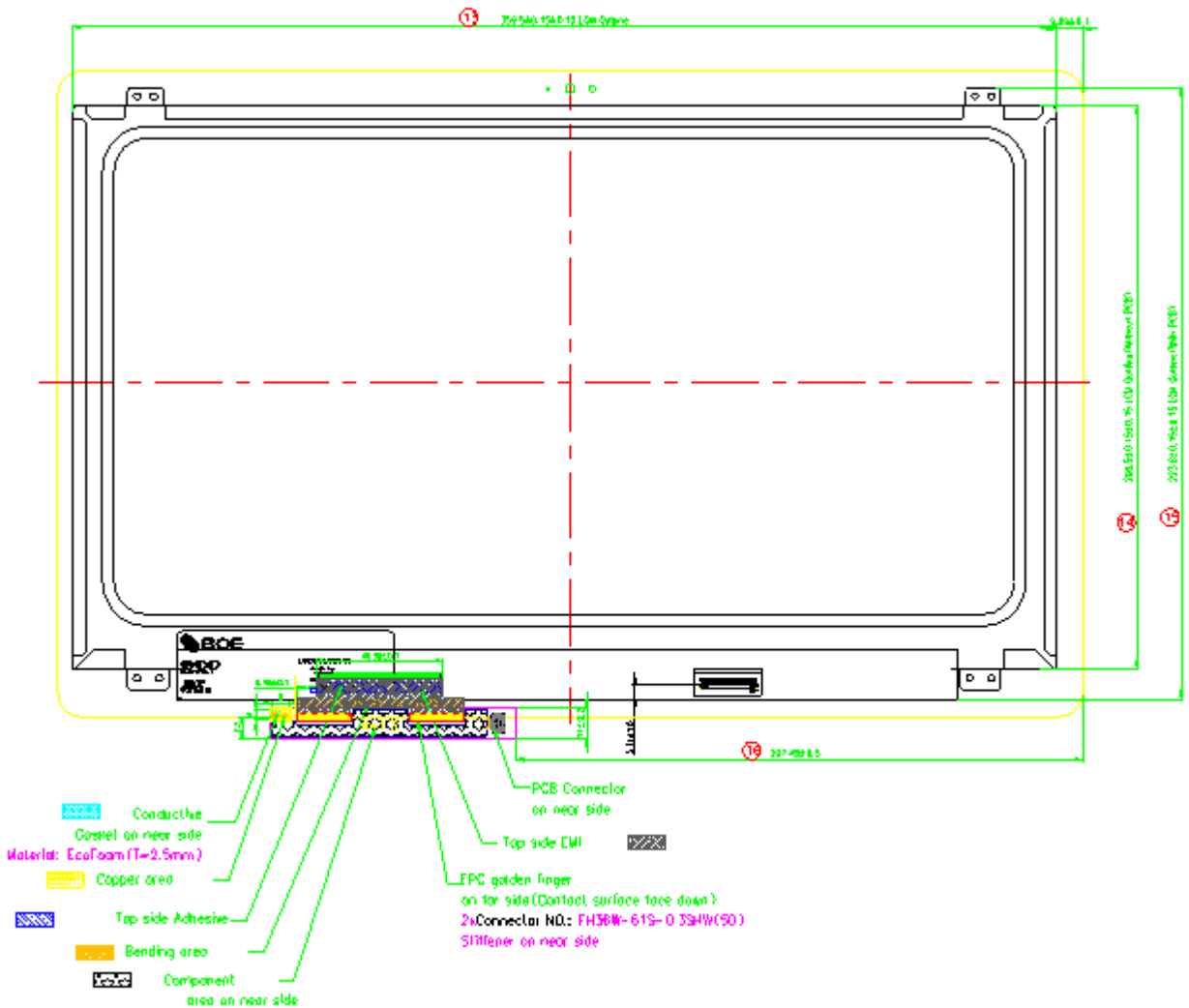
14. MECHANICAL OUTLINE DIMENSION
14.1 Total Solution Outline Dimension

Figure 6. Total Solution Outline Dimensions (Front view)



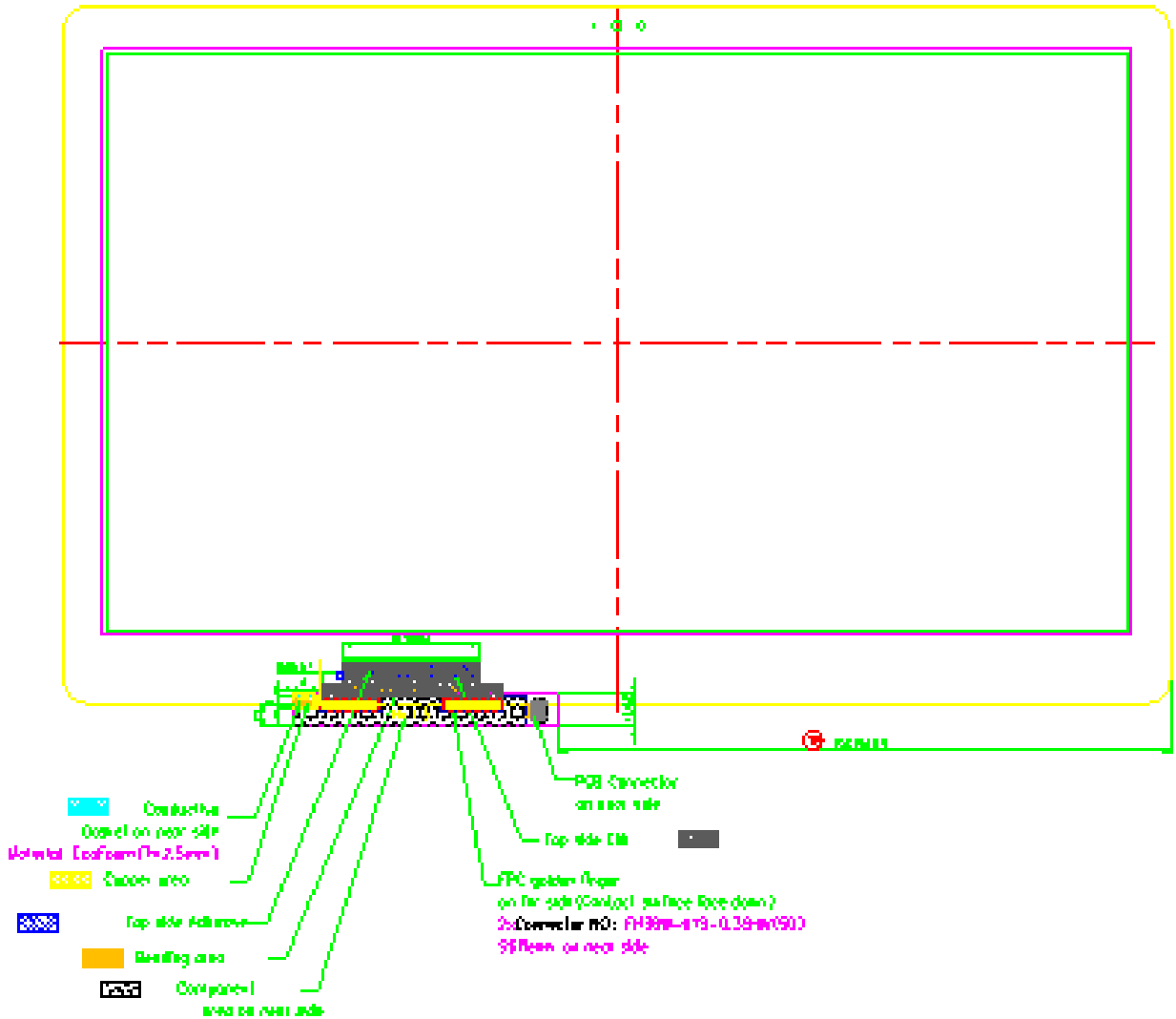
14.2 Total Solution Outline Dimension

Figure 7. Total Solution Outline Dimensions (Rear view)



14.4 Touch Panel Outline Dimension

Figure 9. Touch Panel Outline Dimensions (Rear view)



15.0 EDID Table

| Address (HEX) | Function | Hex | Dec | crc | Input values. | Notes |
|---------------|------------------------|-----|-----|-----|---------------|------------------------------------|
| 00 | Header | 00 | 0 | | 0 | EDID Header |
| 01 | | FF | 255 | | 255 | |
| 02 | | FF | 255 | | 255 | |
| 03 | | FF | 255 | | 255 | |
| 04 | | FF | 255 | | 255 | |
| 05 | | FF | 255 | | 255 | |
| 06 | | FF | 255 | | 255 | |
| 07 | | 00 | 0 | | 0 | |
| 08 | ID Manufacturer Name | 09 | 9 | | BOE | ID = BOE |
| 09 | | E5 | 229 | | | |
| 0A | ID Product Code | 6A | 106 | | 1642 | ID = 1642 |
| 0B | | 06 | 6 | | | |
| 0C | 32-bit serial No. | 00 | 0 | | | |
| 0D | | 00 | 0 | | | |
| 0E | | 00 | 0 | | | |
| 0F | | 00 | 0 | | | |
| 10 | Week of manufacture | 01 | 1 | | 1 | |
| 11 | Year of Manufacture | 19 | 25 | | 2015 | Manufactured in 2015 |
| 12 | EDID Structure Ver. | 01 | 1 | | 1 | EDID Ver 1.0 |
| 13 | EDID revision # | 04 | 4 | | 4 | EDID Rev. 0.4 |
| 14 | Video input definition | 95 | 149 | | - | |
| 15 | Max H image size | 22 | 34 | | 34 | 34 cm (Approx) |
| 16 | Max V image size | 13 | 19 | | 19 | 19 cm (Approx) |
| 17 | Display Gamma | 78 | 120 | | 2.2 | Gamma curve = 2.2 |
| 18 | Feature support | 0A | 10 | | | RGB display, Preferred Timing mode |
| 19 | Red/Green low bits | 24 | 36 | | - | Red / Green Low Bits |
| 1A | Blue/White low bits | 10 | 16 | | - | Blue / White Low Bits |
| 1B | Red x high bits | 97 | 151 | 604 | 0.59 | Red (x) = 10010111 (0.59) |
| 1C | Red y high bits | 59 | 89 | 358 | 0.35 | Red (y) = 01011001 (0.35) |
| 1D | Green x high bits | 54 | 84 | 337 | 0.33 | Green (x) = 01010100 (0.33) |
| 1E | Green y high bits | 8E | 142 | 568 | 0.555 | Green (y) = 10001110 (0.555) |
| 1F | Blue x high bits | 27 | 39 | 156 | 0.153 | Blue (x) = 00100111 (0.153) |
| 20 | BLue y high bits | 1E | 30 | 121 | 0.119 | Blue (y) = 00011110 (0.119) |
| 21 | White x high bits | 50 | 80 | 320 | 0.313 | White (x) = 01010000 (0.313) |
| 22 | White y high bits | 54 | 84 | 336 | 0.329 | White (y) = 01010100 (0.329) |
| 23 | Established timing 1 | 00 | 0 | | - | |
| 24 | Established timing 2 | 00 | 0 | | - | |

PRODUCT GROUP

REV

ISSUE DATE



TFT- LCD PRODUCT

O

2015.7.20

SPEC. NUMBER

SPEC. TITLE

NV156FHM-A11 Product Specification

PAGE

33 OF 35

| Address (HEX) | Function | Hex | Dec | crc | Input values. | Notes |
|---------------|---------------------------------------|-----|-----|-----|----------------------|---|
| 25 | Established timing 3 | 00 | 0 | | - | |
| 26 | Standard timing #1 | 01 | 1 | | | Not Used |
| 27 | | 01 | 1 | | | |
| 28 | Standard timing #2 | 01 | 1 | | | Not Used |
| 29 | | 01 | 1 | | | |
| 2A | Standard timing #3 | 01 | 1 | | | Not Used |
| 2B | | 01 | 1 | | | |
| 2C | Standard timing #4 | 01 | 1 | | | Not Used |
| 2D | | 01 | 1 | | | |
| 2E | Standard timing #5 | 01 | 1 | | | Not Used |
| 2F | | 01 | 1 | | | |
| 30 | Standard timing #6 | 01 | 1 | | | Not Used |
| 31 | | 01 | 1 | | | |
| 32 | Standard timing #7 | 01 | 1 | | | Not Used |
| 33 | | 01 | 1 | | | |
| 34 | Standard timing #8 | 01 | 1 | | | Not Used |
| 35 | | 01 | 1 | | | |
| 36 | Detailed timing/monitor descriptor #1 | 3C | 60 | | 141.40 | 141.4MHz Main clock |
| 37 | | 37 | 55 | | | |
| 38 | | 80 | 128 | | 1920 | Hor Active = 1920 |
| 39 | | DE | 222 | | 222 | Hor Blanking = 222 |
| 3A | | 70 | 112 | | - | 4 bits of Hor. Active + 4 bits of Hor. Blanking |
| 3B | | 38 | 56 | | 1080 | Ver Active = 768 |
| 3C | | 14 | 20 | | 20 | Ver Blanking = 20 |
| 3D | | 40 | 64 | | - | 4 bits of Ver. Active + 4 bits of Ver. Blanking |
| 3E | | 30 | 48 | | 48 | Hor Sync Offset = 48 |
| 3F | | 20 | 32 | | 32 | H Sync Pulse Width = 32 |
| 40 | | 36 | 54 | | 3 | V sync Offset = 3 line |
| 41 | | 00 | 0 | | 6 | V Sync Pulse width : 6 line |
| 42 | | 58 | 88 | | 344 | Horizontal Image Size = 344 mm (Low 8 bits) |
| 43 | | C2 | 194 | | 194 | Vertical Image Size = 194 mm (Low 8 bits) |
| 44 | | 10 | 16 | | - | 4 bits of Hor Image Size + 4 bits of Ver Image Size |
| 45 | | 00 | 0 | | 0 | Hor Border (pixels) |
| 46 | | 00 | 0 | | 0 | Vertical Border (Lines) |
| 47 | 1A | 26 | | | Refer to right table | |

| Address (HEX) | Function | Hex | Dec | crc | Input values. | Notes | |
|---------------|---------------------------------------|---------------------------------------|-----|-----|---------------|---|----------------------|
| 48 | Detailed timing/monitor descriptor #2 | 30 | 48 | | 113.12 | 113.12MHz Main clock | |
| 49 | | 2C | 44 | | | | |
| 4A | | 80 | 128 | | 1920 | Hor Active = 1920 | |
| 4B | | DE | 222 | | 222 | Hor Blanking = 222 | |
| 4C | | 70 | 112 | | - | 4 bits of Hor. Active + 4 bits of Hor. Blanking | |
| 4D | | 38 | 56 | | 1080 | Ver Active = 768 | |
| 4E | | 14 | 20 | | 20 | Ver Blanking = 20 | |
| 4F | | 40 | 64 | | - | 4 bits of Ver. Active + 4 bits of Ver. Blanking | |
| 50 | | 30 | 48 | | 48 | Hor Sync Offset = 48 | |
| 51 | | 20 | 32 | | 32 | H Sync Pulse Width = 32 | |
| 52 | | 36 | 54 | | 3 | V sync Offset = 3 line | |
| 53 | | 00 | 0 | | 6 | V Sync Pulse width : 6 line | |
| 54 | | 58 | 88 | | 344 | Horizontal Image Size = 344 mm (Low 8 bits) | |
| 55 | | C2 | 194 | | 194 | Vertical Image Size = 194 mm (Low 8 bits) | |
| 56 | | 10 | 16 | | - | 4 bits of Hor Image Size + 4 bits of Ver Image Size | |
| 57 | | 00 | 0 | | 0 | Hor Border (pixels) | |
| 58 | | 00 | 0 | | 0 | Vertical Border (Lines) | |
| 59 | | 1A | 26 | | | | |
| 5A | | Detailed timing/monitor descriptor #3 | 00 | 0 | | | ASCII Data Sting Tag |
| 5B | 00 | | 0 | | | | |
| 5C | 00 | | 0 | | | | |
| 5D | FE | | 254 | | | | |
| 5E | 00 | | 0 | | | | |
| 5F | 32 | | 50 | | 2 | D/PN: 2DHX6 | |
| 60 | 44 | | 68 | | D | | |
| 61 | 48 | | 72 | | H | | |
| 62 | 58 | | 88 | | X | | |
| 63 | 36 | | 54 | | 6 | BOE PN | |
| 64 | 80 | | 128 | | 1000000 | | EDID:A00 |
| 65 | 4E | | 78 | | N | | |
| 66 | 56 | | 86 | | V | | |
| 67 | 31 | | 49 | | 1 | | |
| 68 | 35 | 53 | | 5 | | | |
| 69 | 41 | 65 | | A | | | |
| 6A | 31 | 49 | | 1 | | | |
| 6B | 31 | 49 | | 1 | | | |

| Address (HEX) | Function | Hex | Dec | crc | Input values. | Notes |
|---------------|---------------------------------------|-----|-----|-----|---------------|--|
| 6C | Detailed timing/monitor descriptor #4 | 00 | 0 | | | Product Name Tag (ASCII) |
| 6D | | 00 | 0 | | | |
| 6E | | 00 | 0 | | | |
| 6F | | 00 | 0 | | | |
| 70 | | 00 | 0 | | | |
| 71 | | 00 | 0 | | 00000000 | 6-bit Color Depth & no FRC |
| 72 | | 41 | 65 | | 01000001 | WLED & singal light bar & one light bar |
| 73 | | 11 | 17 | | 00010001 | Frame rate 40Hz~65Hz |
| 74 | | 96 | 150 | | 10010110 | Light Controller:PWM & Max. Luminance 220 |
| 75 | | 00 | 0 | | 00000000 | Front Surface:Anti-Glare& RGB v-stripe |
| 76 | | 00 | 0 | | 00010000 | with DBC |
| 77 | | 00 | 0 | | 00000000 | no Motion Blur & no Active Gamma |
| 78 | | 00 | 0 | | 00000000 | no Wireless Enhancement & no In-Cell Scanner |
| 79 | | 0A | 10 | | 00001010 | 2 Lane edp1.2 |
| 7A | | 01 | 1 | | 00000001 | Built-In Self Test |
| 7B | | 0A | 10 | | | |
| 7C | 20 | 32 | | | | |
| 7D | 20 | 32 | | | | |
| 7E | Extension flag | 00 | 0 | | | |
| 7F | Checksum | 73 | 115 | 115 | - | |