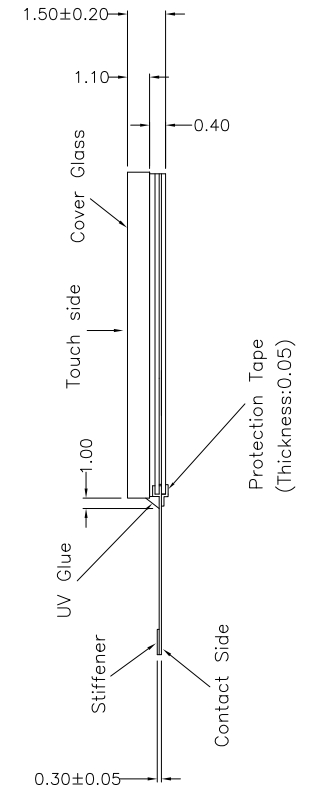
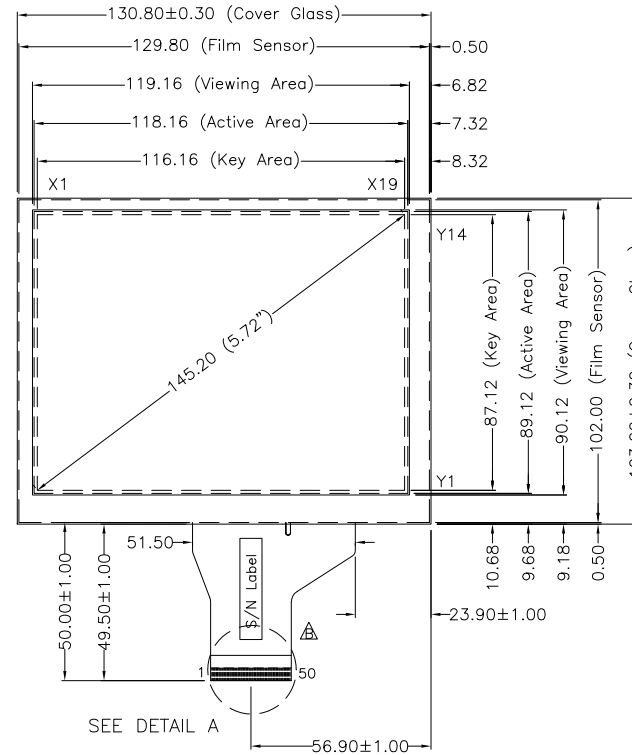
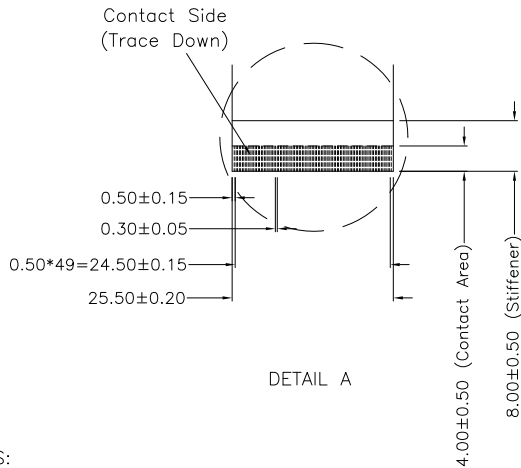


TOUCH SIDE VIEW

PIN#	Assignment
1-2	Grounding Line
3	Blank
4-22	X1-X19
23-28	Blank
29	Grounding Line
30	Grounding Line
31	Blank
32-45	Y1-Y14
46-49	Blank
50	Grounding Line



NOTES:

- INPUT MODE : PROJECTED CAPACITIVE
- OVERALL THICKNESS : 1.50±0.20mm
- COVER GLASS THICKNESS : 1.10mm
- FRONT SURFACE : CLEAR
- TAIL TYPE : GOLD PLATED FPC , ZIF
- RECOMMENDED CONTROL BOARDS : PENMOUNT PM1210 SERIES
- OTHER SPEC : SEE APPROVAL SHEET
- PLEASE REFER TO AMT TOUCH SCREEN INTEGRATION GUIDES FOR SYSTEM MECHANICAL DESIGN AND ASSEMBLY METHODS



NO.	DATE	DESCRIPTION	CHK
B	APR 21, 2015	MODIFY TAIL AND PIN ASSIGNMENT	Jerry
A	SEP 26, 2011	EM SHIELD FILM MODIFY	Jerry
REVISION			
CHIEF OF DESIGN		APPROVED	Jerry
DRAWN BY	Bruce	DATE	Apr. 21, 2015
SHEET 1 OF 1			

Apex Material Technology Corp.	
TOLERANCES UNLESS SPECIFIED	DWG NO : P3004-A2-2-01
.X	± 0.50
.XX	± 0.50
.XXX	± 0.30
ANGULAR	SCALE: N/S UNIT: mm