

PRODUCT SPECIFICATION

PART NUMBER # REV: FLD-101HML20PCSA4#00

DESCRIPTION: 10.1"W TFT 1280x800 TFT Full View 500CD with LVDS interface
+ Assembled Rocktouch Pcap 3mm, Black, Combo USB /I2C

- () Preliminary Specification
- (V) Approved Specification

Customer Name:	
Signature:	Date:

PREPARED BY	REVIEWED BY	SIGNATURE DATE
<i>Mia Huang</i>	<i>David</i>	<i>2020/09/11</i>

Revision History

Version	Date	Page	Description	Note
V1.0	2020/09/10		First Edition	
V1.1	2020/09/11		Update Edition glass thickness	

FutureLabs Confidential

Table of Content

1. GENERAL DESCRIPTION	4
1.1 Description.....	4
1.2 Product Summary	4
2. ABSOLUTE MAXIMUM RATING	5
2.1 Electrical Absolute Rating	5
2.2 Environment Absolute Rating	5
3. ELECTRICAL CHARACTERISTICS	6
3.1 TFT LCD MODULE.....	6
3.2 Backlight Unit	8
4. INTERFACE TIMING	10
4.1 INPUT SIGNAL TIMING SPECIFICATIONS	10
4.2 Power ON/OFF Sequence	11
5. INTERFACE PIN DESCRIPTION	12
5.1 LCM Connector PIN Assignment.....	12
5.2 COLOR DATA INPUT ASSIGNMENT.....	14
6. BLOCK DIAGRAM	15
7. OPTICAL CHARACTERISTIC	16
B. Touch Screen specification	19
1. Environmental Specification.....	19
2. Mechanical Specification	19
3. Combo Type Controller.....	19
8. DIMENSION AND DRAWING	21
9. RELIABILITY TEST CRITERIA	22
10. PRECAUTION AND PRODUCT HANDLING	23

1. GENERAL DESCRIPTION

1.1 Description

10.1" is a Color Active Matrix Liquid Crystal Display Module composed of a TFT LCD panel and LED backlight system. The screen format is intended to support the WXGA, 1280 x 800 screen and 262K/16.2M colors (6-bits colors with FRC).

1.2 Product Summary

The following items are summary on the table under Ta=25 °C condition:

No.	Item	Specification	Unit
1	Display Size	10.1"	Inch
2	Pixel Number	1280 (H) x RGB x 800 (V)	Pixels
3	Outline Dimension	283(H) x 202 (V) x 10.75(D)	mm
4	Active Area	216.96 (H) x 135.6 (V)	mm
5	Display Colors	16.2M / 262K	--
6	Pixel Arrangement	RGB vertical stripe	--
7	Display Mode	Transmissive mode / Normally black	--
8	Electrical Interface	LVDS	--
9	Surface Treatment	Anti-Glare 3H	--
10	Brightness	500 (Typ.)	cd/m ²
11	Contrast Ratio	800 (Typ.)	--
12	Total Power Consumption (Typ)	6.2	W

2. ABSOLUTE MAXIMUM RATING

2.1 Electrical Absolute Rating

Item	Symbol	Values		Unit	Note
		Min	Max.		
Power supply voltage	VCC	-0.3	4	V	
Converter Voltage	Vi	-0.3	18	V	
Enable Voltage	EN	---	5.5	V	
Backlight Adjust	ADJ	---	5.5	V	

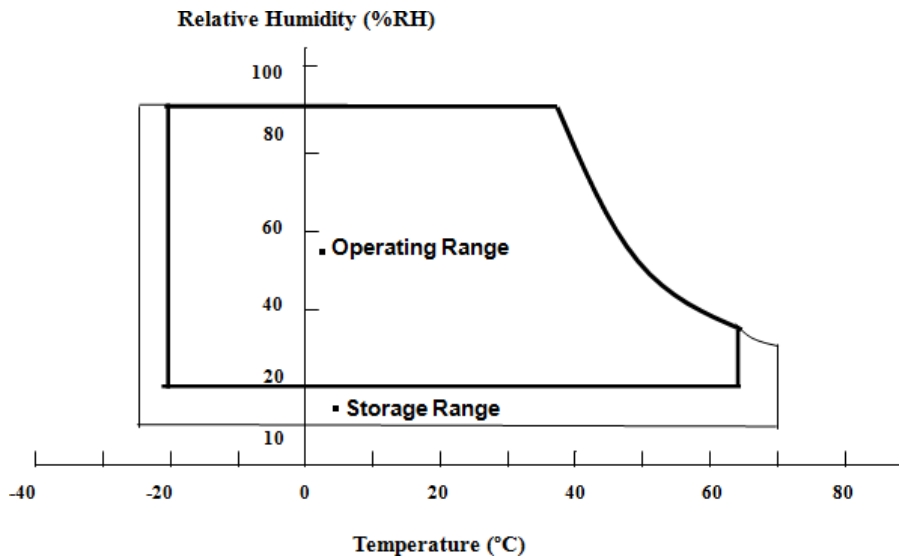
Note Permanent damage to the device may occur if max. values are exceeded. Function operation should be restricted to the conditions described under normal operating conditions.

2.2 Environment Absolute Rating

Item	Symbol	Values			Unit	Note
		Min	Typ	Max.		
Operating Temperature	Top	-20		65	°C	
Storage Temperature	Tstg	-25		70	°C	

Note (1) Temperature and relative humidity range is shown in the figure below.

- (a) 90 %RH Max. ($T_a < 40$ °C).
- (b) Wet-bulb temperature should be 39 °C Max. ($T_a > 39$ °C).
- (c) No condensation
- (d) for Module only



3. ELECTRICAL CHARACTERISTICS

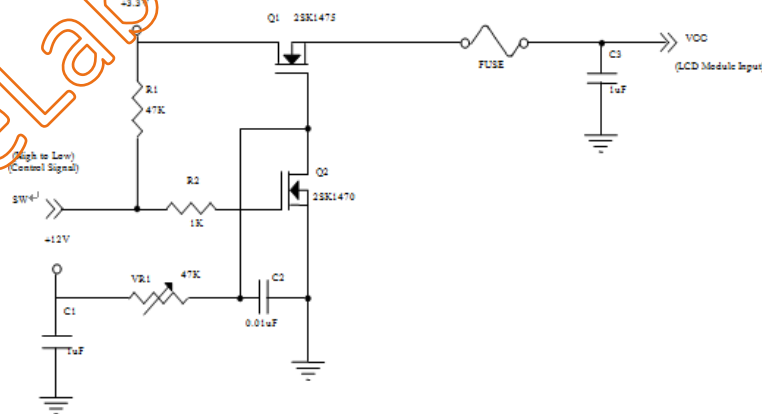
3.1 TFT LCD MODULE

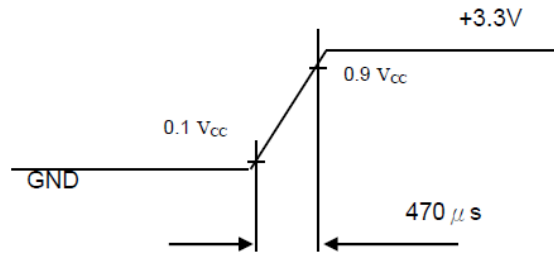
Parameter	Symbol	Value			Unit	Note
		Min.	Typ.	Max.		
Power Supply Voltage	V_{CC}	3.0	3.3	3.6	V	(1)
Power Supply Ripple Voltage	V_{RP}	--	--	100	mVp-p	
Rush Current	I_{RUSH}	-	-	1.5	A	(2)
Power Supply Current	White	--	265	320	mA	(3)
	Black	--	210	260	mA	
LVDS differential input voltage	V_{ID}	200	-	600	mV	
LVDS common input voltage	V_{IC}	1.0	1.2	1.4	V	-
Logic High Input Voltage	V_{IH}			100	mV	
Logic Low Input Voltage	V_{IL}	-100			mV	
LVDS terminating resistor	R_T	-	100	-	ohm	

Note (1) The assembly should be always operated within above ranges.

$T_a = 25 \pm 2 \text{ } ^\circ\text{C}$

Note (2) Measurement Conditions:





Note (3) The specified power supply current is under the conditions at $V_{DD}=3.3V$, $T_a=25 \pm 2 \text{ }^\circ C$, DC current and $f_v=60Hz$, whereas a power dissipation check pattern below is displayed.

a. White Pattern



Active Area

b. Black Pattern



Active Area

3.2 Backlight Unit

Parameter guideline for LED driving is under stable conditions at 25°C (Room Temperature):

Parameter	Symbol	Value			Unit	Note
		Min.	Typ.	Max.		
Converter Power Supply Voltage	V_i	10.8	12.0	13.2	V	
Converter Power Supply Current	I_i	--	0.45	0.5	A	@ $V_i = 12V$ (Duty 100%)
Backlight Power Consumption	P_{BL}	-	5.3	5.8	W	@ $V_i = 12V$ (Duty 100%)
EN Control Level	Backlight on	2.5	3.3	5.0	V	
	Backlight off	0	---	0.8	V	
PWM Control Level	PWM High Level	2.5	3.3	5.0	V	
	PWM Low Level	0	-	0.15	V	
PWM Control Duty Ratio	-	1	-	100	%	@200Hz
PWM Control Frequency	f_{PW} M	190	200	20k	Hz	(2)
LED LifeTime	L_L	50,000	-	-	Hrs	(3)

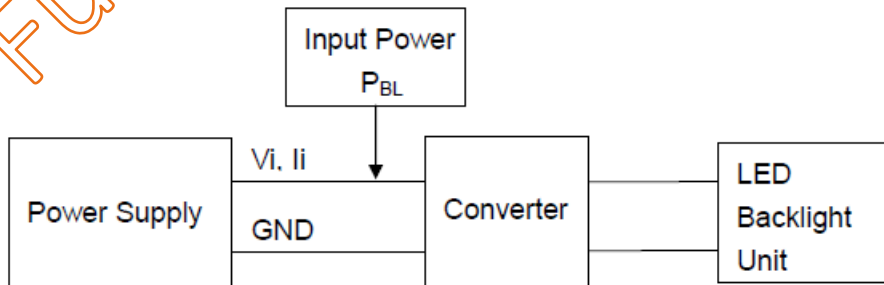
Note (1) LED current is measured by utilizing a high frequency current meter as shown below:

Note (2) At 200 Hz PWM control frequency, duty ratio range is restricted from 1% to 100%

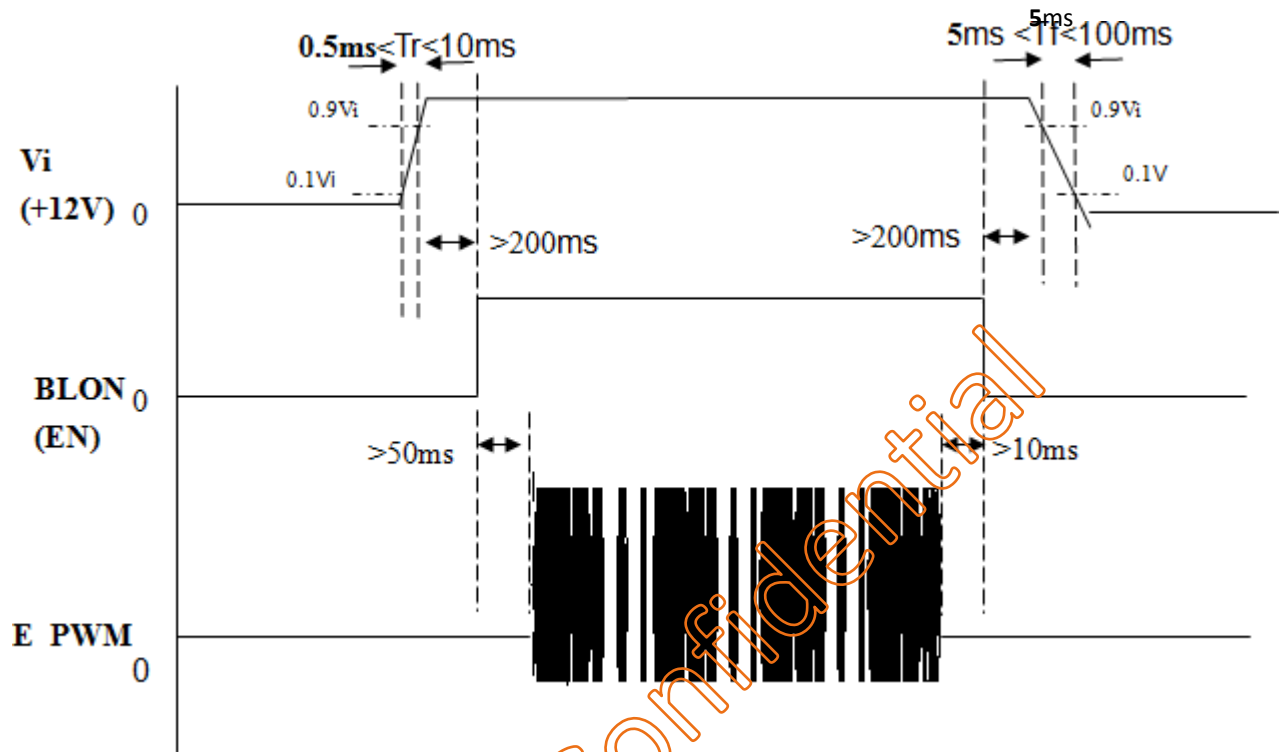
Note (3) The lifetime of LED is estimated data and defined as the time when it continues to operate under the conditions at

$T_a = 25 \pm 2 \text{ }^\circ\text{C}$ and Duty=100% until the brightness becomes $\leq 50\%$ of its original value.

Operating LED under high temperature environment will reduce lifetime and lead to color shift.



Power sequence and control signal timing are shown in the following figure



Note : While system is turned ON or OFF, the power sequences must follow as below

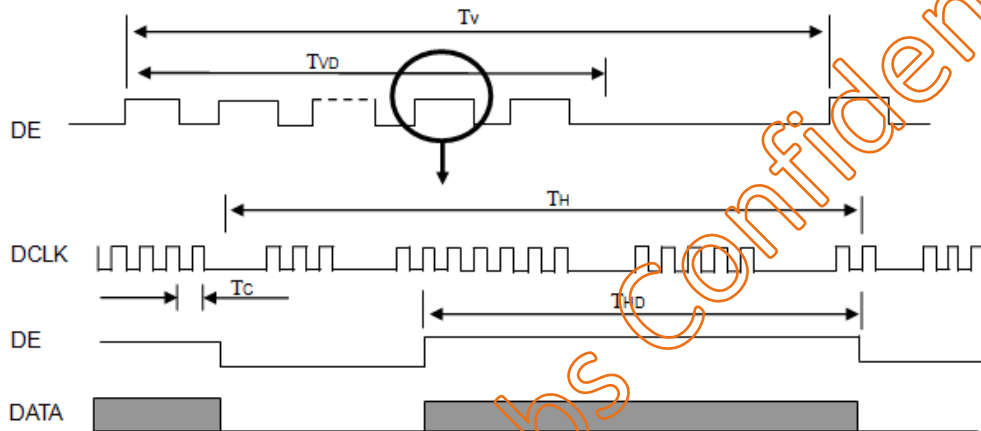
descriptions Turn ON sequence: $V_i(+12V) \rightarrow \text{BLON} \rightarrow \text{E_PWM}$ signal

Turn OFF sequence: E_PWM signal $\rightarrow \text{BLON} \rightarrow V_i(+12V)$

4. INTERFACE TIMING

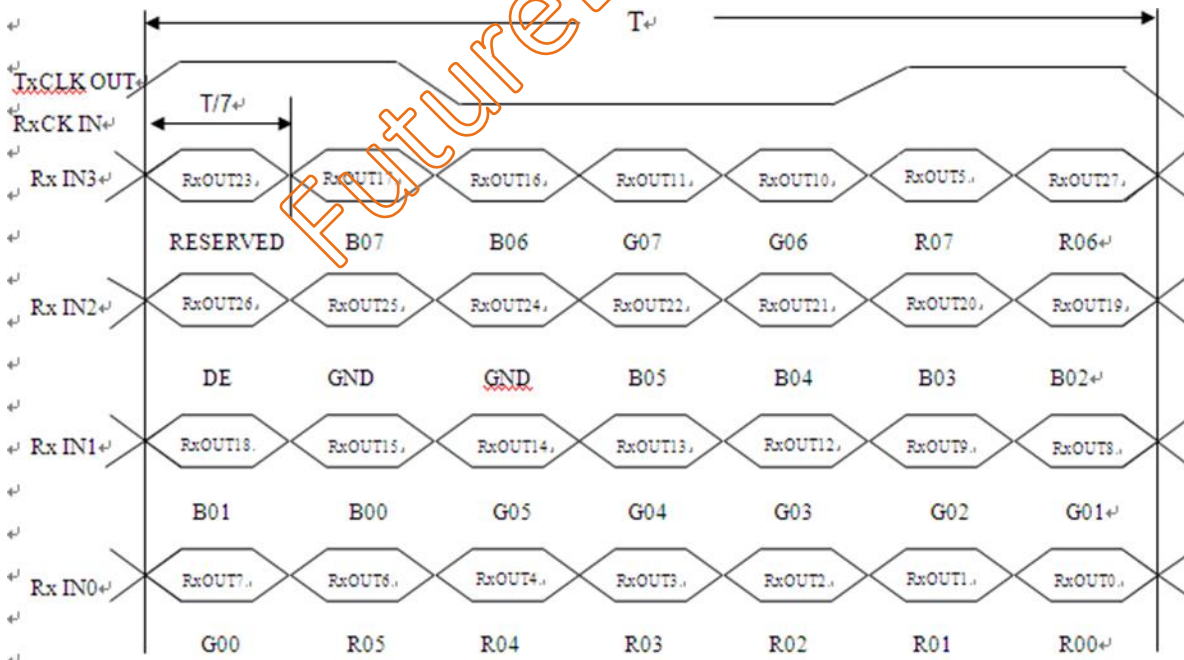
4.1 INPUT SIGNAL TIMING SPECIFICATIONS

Signal	Item	Symbol	Min.	Typ.	Max.	Unit	Note
DCLK	Pixel Clock	1/T _C	60.40	71.1	74.7	MHz	-
DE	Vertical Total Time	T _V	810	823	829	T _H	-
	Vertical Address Time	T _{VD}	800	800	800	T _H	-
	Horizontal Total Time	T _H	1362	1440	1480	T _C	-
	Horizontal Address Time	T _{HD}	1280	1280	1280	T _C	-



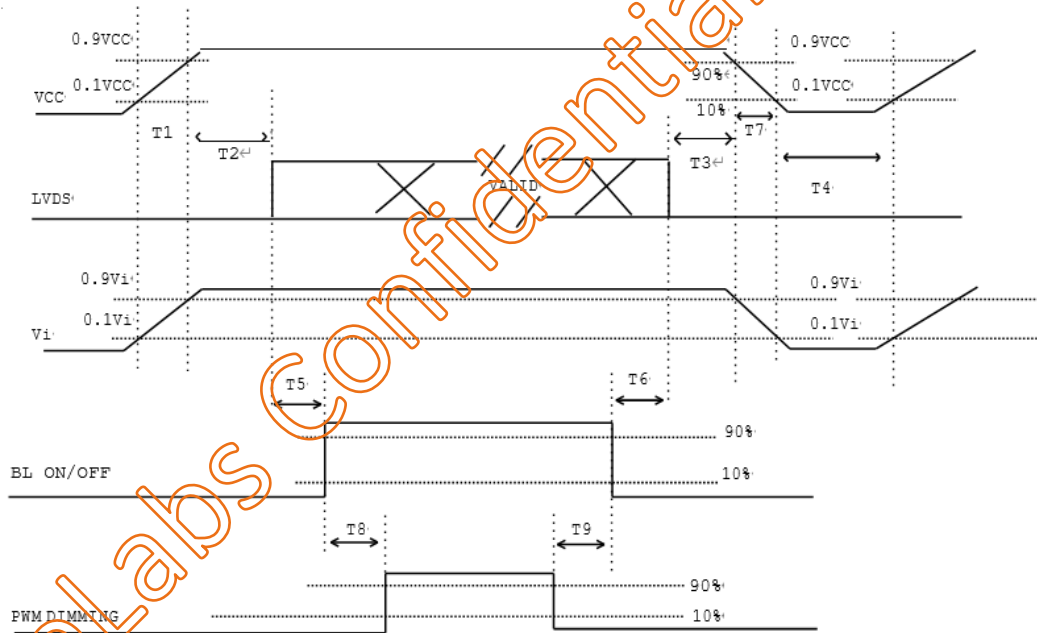
INPUT SIGNAL TIMING DIAGRAM

TIMING DIAGRAM of LVDS



4.2 Power ON/OFF Sequence

To prevent a latch-up or DC operation of LCD assembly, the power on/off sequence should be as the diagram below.



Note: (1) Please avoid floating state of interface signal at invalid period.

(2) When the interface signal is invalid, be sure to pull down the power supply of LCD VCC to 0 V

(3) The Backlight converter power must be turned on after the power supply for the logic and the interface signal is valid. The Backlight converter power must be turned off before the power supply for the logic and the interface signal is invalid.

Parameter	Value			Units
	Min	Typ	Max	
T1	0.5	-	10	ms
T2	0	-	50	ms
T3	0	-	50	ms
T4	500	-	-	ms
T5	200	-	-	ms
T6	200	-	-	ms
T7	5	-	300	ms
T8	10	-	-	ms
T9	10	-	-	ms

5. INTERFACE PIN DESCRIPTION

5.1 LCM Connector PIN Assignment

Pin No.	Symbol	Function	Polarity	Note
1	VCCS	Power Supply +3.3V(typical)		
2	VCCS	Power Supply +3.3V(typical)		
3	VCCS	Power Supply +3.3V(typical)		
4	Data format	L or NC : 8bit Input Mode H : 6bit Input Mode		Note (2),Note(3)
5	NC	No Connction		
6	NC	No Connction		
7	NC	No Connction		
8	Rxin0-	LVDS Differential Data Input	Negative	
9	Rxin0+	LVDS Differential Data Input	Positive	
10	VSS	Ground		
11	Rxin1-	LVDS Differential Data Input	Negative	
12	Rxin1+	LVDS Differential Data Input	Positive	
13	VSS	Ground		
14	Rxin2-	LVDS Differential Data Input	Negative	
15	Rxin2+	LVDS Differential Data Input	Positive	
16	VSS	Ground		
17	RxCLK-	LVDS Differential Clock Input	Negative	
18	RxCLK+	LVDS Differential Clock Input	Positive	
19	VSS	Ground		
20	Rxin3-	LVDS Differential Data Input	Negative	
21	Rxin3+	LVDS Differential Data Input	Positive	
22	VSS	Ground		
23	NC	No Connction (Reserve)		
24	NC	No Connction (Reserve)		
25	VSS	Ground		
26	VSS	Ground		
27	LED_PWM	PWM Control Signal od LED Converter		
28	LED_EN	Enable Control Signal od LED Converter		
29	LED_GND	LED Ground		
30	LED_GND	LED Ground		
31	LED_GND	LED Ground		

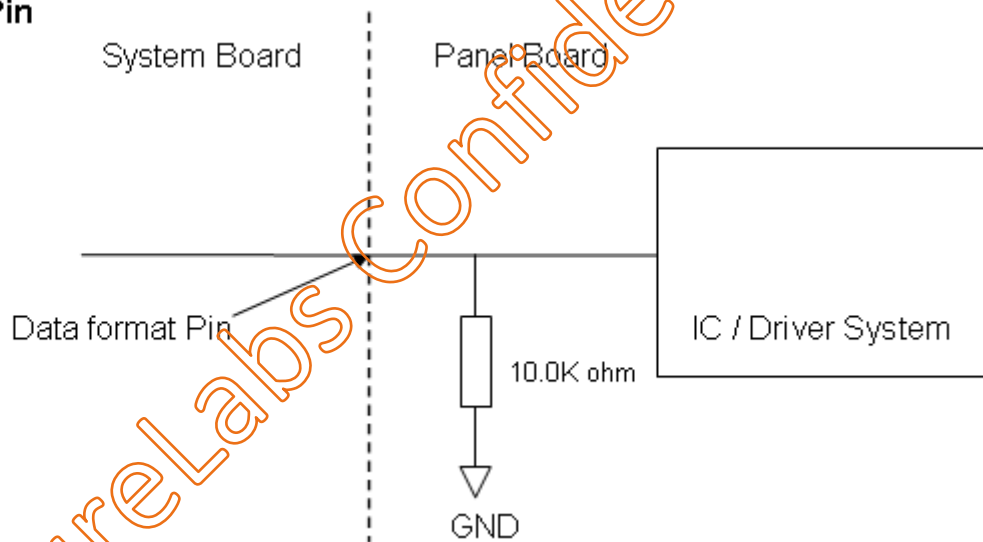
32	LED_GND	LED Ground		
33	LED_GND	LED Ground		
34	NC	No Connction (Reserve)		
35	NC	No Connction (Reserve)		
36	LED_VCCS	LED Power Supply		
37	LED_VCCS	LED Power Supply		
38	LED_VCCS	LED Power Supply		
39	LED_VCCS	LED Power Supply		
40	LED_VCCS	LED Power Supply		

Note (1) Connector Part No.: I-PEX 20455-040E-12 or Tyco_5-2069716-3.

Note (2) “Low” stands for 0V. “High” stands for 3.3V. “NC” stands for “No Connected”.

Note (3) Interface optional pin has internal scheme as following diagram, Customer should keep the interface voltage level requirement which including panel board loading as below.

Data format Pin



5.2 COLOR DATA INPUT ASSIGNMENT

The brightness of each primary color (red, green and blue) is based on the 8-bit gray scale data input for the color. The higher the binary input, the brighter the color.

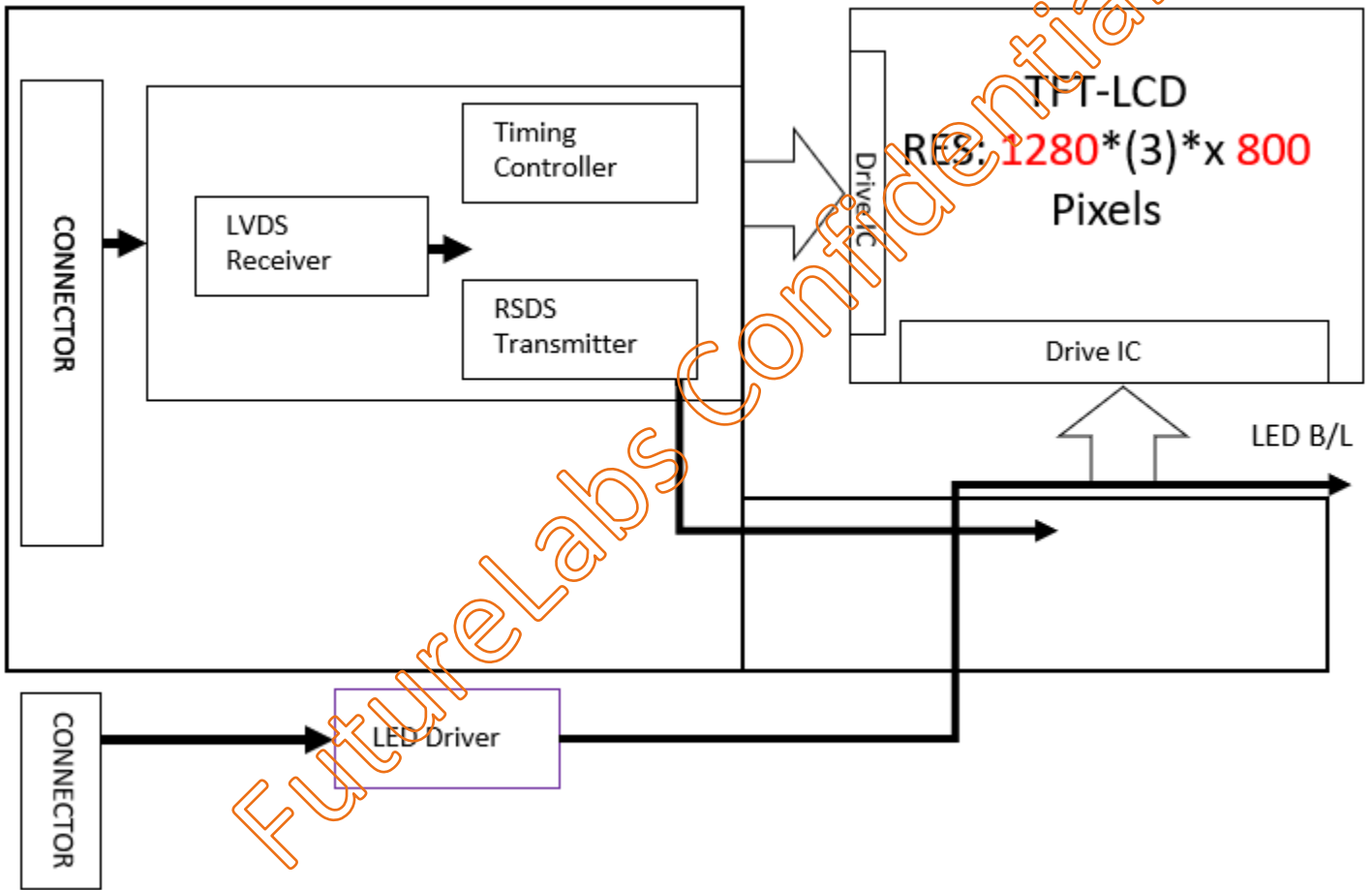
The table below provides the assignment of color versus data input.

Color		Data Signal																							
		Red								Green								Blue							
		R7	R6	R5	R4	R3	R2	R1	R0	R7	R6	G5	G4	G3	G2	G1	G0	R7	R6	B5	B4	B3	B2	B1	B0
Basic Colors	Black	0	0	0	0	0	0	0	0	0	0	0	0	0	0	0	0	0	0	0	0	0	0	0	0
	Red	1	1	1	1	1	1	1	1	0	0	0	0	0	0	0	0	0	0	0	0	0	0	0	0
	Green	0	0	0	0	0	0	0	0	1	1	1	1	1	1	1	0	0	0	0	0	0	0	0	0
	Blue	0	0	0	0	0	0	0	0	0	0	0	0	0	0	0	1	1	1	1	1	1	1	1	1
	Cyan	0	0	0	0	0	0	0	0	1	1	1	1	1	1	1	1	1	1	1	1	1	1	1	1
	Magenta	1	1	1	1	1	1	1	1	0	0	0	0	0	0	0	0	1	1	1	1	1	1	1	1
	Yellow	1	1	1	1	1	1	1	1	1	1	1	1	1	1	1	0	0	0	0	0	0	0	0	0
	White	1	1	1	1	1	1	1	1	1	1	1	1	1	1	1	1	1	1	1	1	1	1	1	1
Gray Scale Of Red	Red(0) / Dark	0	0	0	0	0	0	0	0	0	0	0	0	0	0	0	0	0	0	0	0	0	0	0	
	Red(1)	0	0	0	0	0	0	0	1	0	0	0	0	0	0	0	0	0	0	0	0	0	0	0	
	Red(2)	0	0	0	0	0	0	1	0	0	0	0	0	0	0	0	0	0	0	0	0	0	0	0	
	⋮	⋮	⋮	⋮	⋮	⋮	⋮	⋮	⋮	⋮	⋮	⋮	⋮	⋮	⋮	⋮	⋮	⋮	⋮	⋮	⋮	⋮	⋮	⋮	
	⋮	⋮	⋮	⋮	⋮	⋮	⋮	⋮	⋮	⋮	⋮	⋮	⋮	⋮	⋮	⋮	⋮	⋮	⋮	⋮	⋮	⋮	⋮	⋮	
	⋮	⋮	⋮	⋮	⋮	⋮	⋮	⋮	⋮	⋮	⋮	⋮	⋮	⋮	⋮	⋮	⋮	⋮	⋮	⋮	⋮	⋮	⋮	⋮	
	Red(252)	1	1	1	1	1	1	0	1	0	0	0	0	0	0	0	0	0	0	0	0	0	0	0	
	Red(252)	1	1	1	1	1	1	1	0	0	0	0	0	0	0	0	0	0	0	0	0	0	0	0	
Red(252)	1	1	1	1	1	1	1	1	0	0	0	0	0	0	0	0	0	0	0	0	0	0	0		
Gray Scale Of Green	Green(0)/Dark	0	0	0	0	0	0	0	0	0	0	0	0	0	0	0	0	0	0	0	0	0	0	0	
	Green(1)	0	0	0	0	0	0	0	0	0	0	0	0	0	0	1	0	0	0	0	0	0	0	0	
	Green(2)	0	0	0	0	0	0	0	0	0	0	0	0	0	1	0	0	0	0	0	0	0	0	0	
	⋮	⋮	⋮	⋮	⋮	⋮	⋮	⋮	⋮	⋮	⋮	⋮	⋮	⋮	⋮	⋮	⋮	⋮	⋮	⋮	⋮	⋮	⋮	⋮	
	⋮	⋮	⋮	⋮	⋮	⋮	⋮	⋮	⋮	⋮	⋮	⋮	⋮	⋮	⋮	⋮	⋮	⋮	⋮	⋮	⋮	⋮	⋮	⋮	
	⋮	⋮	⋮	⋮	⋮	⋮	⋮	⋮	⋮	⋮	⋮	⋮	⋮	⋮	⋮	⋮	⋮	⋮	⋮	⋮	⋮	⋮	⋮	⋮	
	Green(252)	0	0	0	0	0	0	0	0	1	1	1	1	1	1	0	1	0	0	0	0	0	0	0	
	Green(252)	0	0	0	0	0	0	0	0	1	1	1	1	1	1	1	0	0	0	0	0	0	0	0	
Green(252)	0	0	0	0	0	0	0	0	1	1	1	1	1	1	1	1	0	0	0	0	0	0	0		
Gray Scale Of Blue	Blue(0) / Dark	0	0	0	0	0	0	0	0	0	0	0	0	0	0	0	0	0	0	0	0	0	0	0	
	Blue(1)	0	0	0	0	0	0	0	0	0	0	0	0	0	0	0	0	0	0	0	0	0	0	1	
	Blue(2)	0	0	0	0	0	0	0	0	0	0	0	0	0	0	0	0	0	0	0	0	0	1	0	
	⋮	⋮	⋮	⋮	⋮	⋮	⋮	⋮	⋮	⋮	⋮	⋮	⋮	⋮	⋮	⋮	⋮	⋮	⋮	⋮	⋮	⋮	⋮	⋮	
	⋮	⋮	⋮	⋮	⋮	⋮	⋮	⋮	⋮	⋮	⋮	⋮	⋮	⋮	⋮	⋮	⋮	⋮	⋮	⋮	⋮	⋮	⋮	⋮	
	⋮	⋮	⋮	⋮	⋮	⋮	⋮	⋮	⋮	⋮	⋮	⋮	⋮	⋮	⋮	⋮	⋮	⋮	⋮	⋮	⋮	⋮	⋮	⋮	
	Blue(252)	0	0	0	0	0	0	0	0	0	0	0	0	0	0	0	1	1	1	1	1	1	1	0	
	Blue(252)	0	0	0	0	0	0	0	0	0	0	0	0	0	0	0	1	1	1	1	1	1	1	0	
Blue(252)	0	0	0	0	0	0	0	0	0	0	0	0	0	0	0	1	1	1	1	1	1	1	1		

Note (1)0: Low Level Voltage, 1: High Level Voltage

6. BLOCK DIAGRAM

The following diagram shows the functional block of the TFT module:



7. OPTICAL CHARACTERISTIC

The optical characteristics are measured under stable conditions at room temperature.

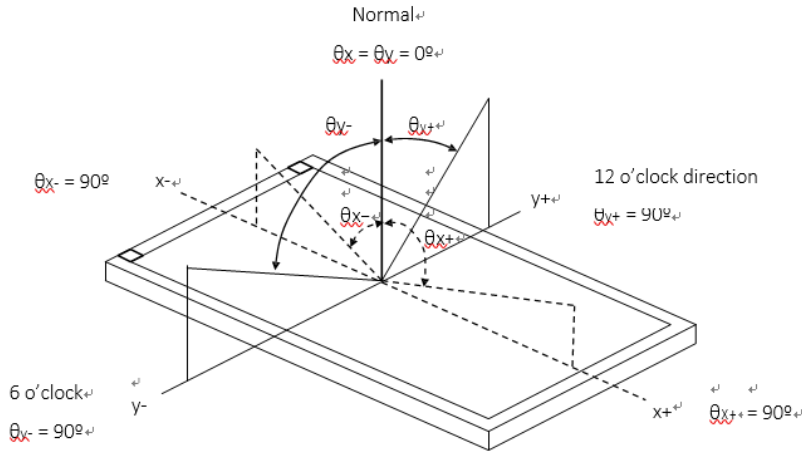
Item		Symbol	Condition	Min.	Typ.	Max.	Unit	Note	
Contrast Ratio		CR	$\theta_x=0^\circ, \theta_y=0^\circ$ Viewing angle at normal direction	600	800		-	(2)(5)	
Response Time		T_R		-	14	17	ms	(3)	
		T_F		-	11	14	ms		
Center Luminance of White		L_c		400	500		cd/m ²	(4)(5)	
White Variation		δW		70			-	(5)(6)	
Chromaticity	Red	R_x		Typ.	-0.05	0.592	Typ.	+0.05	-
		R_y				0.340			-
	Green	G_x				0.316			-
		G_y				0.591			-
	Blue	B_x				0.154			-
		B_y	0.123			-			
	White	W_x	0.313			-			
		W_y	0.329			-			
Viewing Angle	Horizontal	θ_{x+}	CR \geq 10	80	85	-	Deg.	(1)(5)	
		θ_{x-}		80	85	-			
	Vertical	θ_{y+}		80	85	-			
		θ_{y-}		80	85	-			

The following optical specifications shall be measured in a darkroom or equivalent state (ambient luminance <2 lux, and at room temperature).

The room temperature is 25°C \pm 2°C

Note 1: Definition of Viewing Angle

Viewing angle is the angle at which the contrast ratio is greater than 10. The viewing angles are determined for the horizontal or the vertical clock direction with respect to the optical axis which is normal to the LCD surface

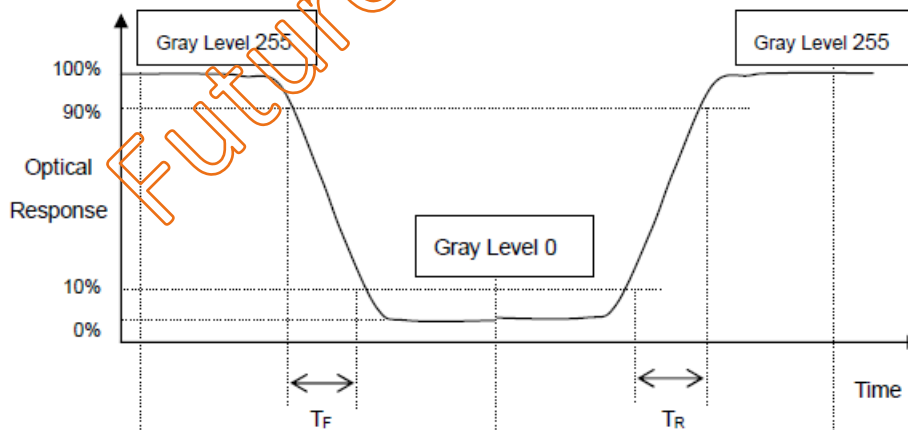


Note 2: Definition of Contrast Ratio (CR)

Measure the viewing angle of $\Theta = 0$ and at the center of the LCD surface. Luminance with all pixels in white state divide by Luminance with all pixels in Black state

Note 3 Definition of Response Time:

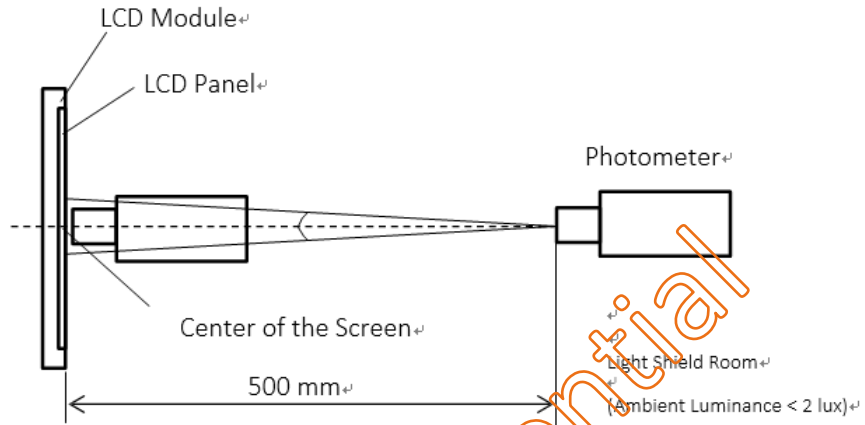
The response time is set initially by defining the “Rising Time (T_r)” and the “Falling Time (T_f)” respectively. The response time interval is between 10% and 90% of amplitudes, please refer the figure to the followings:



Note 4: Definition of Brightness (Lc)

Measure the center area of the panel and the viewing angle of the $\theta_x = \theta_y = 0^\circ$

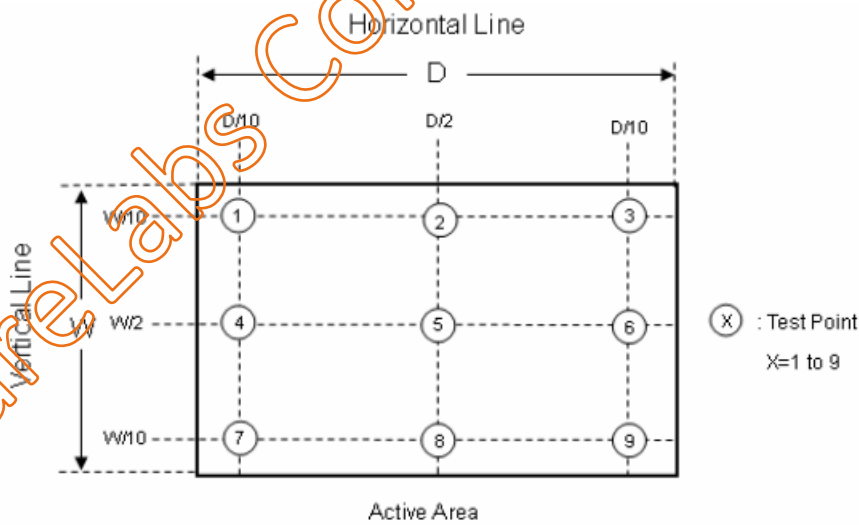
Note 5: The method of optical measurement:



Note 6: Definition of White Variation (δW):

Measure the luminance of gray level 255 at 9 points

$$\delta W = \text{Maximum} [L(1), L(2), L(3)...L(8), L(9)] / \text{Minimum} [L(1), L(2), L(3)...L(4), L(5)]$$



B. Touch Screen specification

1. Environmental Specification

Specification	Value	Remarks
Operating Temperature	-20°C ~ 70°C	
Storage Temperature	-40°C ~ 80°C	
Operating Humidity	20% ~ 90%RH	
Storage Humidity	10% ~ 90%RH	

2. Mechanical Specification

Specification	Value
Operating Life (Finger input)	10 ⁷ times
Light Transmittance	>86% Min. (JIS K-7105) with glass
Surface hardness	6H
FPC Peeling Force	5N Max

3. Combo Type Controller

Parameters	Features
Circuit Board Dimension	Refer to drawings
Channels of Panel	Based on Sensor Design
Input Voltage	3.5V~5V Typical 5V for USB suggest to use 5V for I2C too
Linearity(Note 1)	Single Line drawing accuracy : Up to 1pt +/- 1mm offset /10mm
	Single Touch (point) accuracy : Up to 1pt +/- 1mm
Interface	USB: 2.0(Below) Full Speed I2C: 100K/400K Hz
Resolution	4096x4096 resolution
Power consumption(mA)	Active Mode: <108mA
	Idle Mode : <54mA
	Sleep Mode :< 10mA
	(Operation Mode: Active Mode only)
Report rate(points/sec) Note(2)	> 100 Hz
Response time	Average < 25 ms

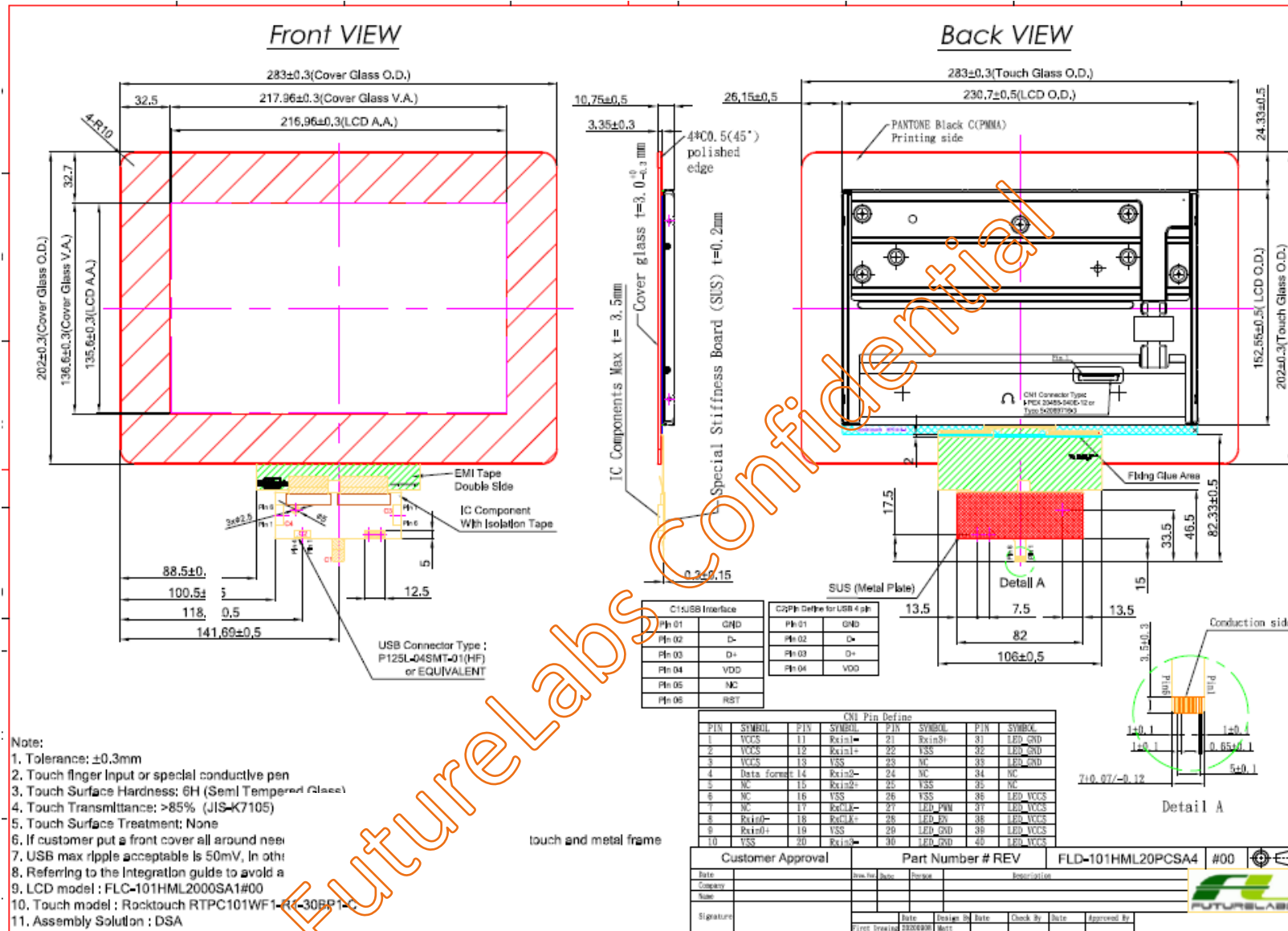


Note (1): Depending by Sensor design and other parameters, Refer to Windows 8 Logo regulation if need to follow min spec

Note (2): Report rate will vary by channel number, cover thickness, number of fingers and other parameters

FutureLabs Confidential

8. DIMENSION AND DRAWING



9. Display RELIABILITY TEST CRITERIA

Test Item	Test Condition	Note
High Temperature Storage Test	70°C, 240 hours	(1)
Low Temperature Storage Test	-25°C, 240 hours	(2)
Thermal Shock Storage Test	-20°C, 0.5hour ← → 70°C, 0.5hour; 100cycles, 1hour/cycle	(4)
High Temperature Operation Test	65°C, 240 hours	(5)
Low Temperature Operation Test	-20°C, 240 hours	(5)
High Temperature & High Humidity Operation Test	60°C, 90%RH, 240hours	(1)
		(2)
		(4)
		(6)
ESD Test (Operation)	150pF, 330Ω, 1 sec/cycle Condition 1 : panel contact, ±8 KV Condition 2 : panel non-contact ±15 KV	(1)
Shock (Non-Operating)	50G, 11ms, half sine wave, 1 time for ± X, ± Y, ± Z.	(3)(4)
Vibration (Non-Operating)	1.5G, 10 ~ 300 Hz, 10min/cycle, 3 cycles each X, Y, Z	(3)(4)

Note (1) There should be no condensation on the surface of panel during test.

Note (2) Temperature of panel display surface area should be 85 °C Max.

Note (3) At testing Vibration and Shock, the fixture in holding the module has to be hard and rigid enough so that the module would not be twisted or bent by the fixture.

Note (4) In the standard conditions, there is no function failure issue occurred. All the cosmetic specification is judged before reliability test.

Note (5) Before cosmetic and function test, the product must have enough recovery time, at least 2 hours at room temperature.

Note (6) Before cosmetic and function test, the product must have enough recovery time, at least 24 hours at room temperature.

10. PRECAUTION AND PRODUCT HANDLING

- Do not apply the external force such as bending or twisting to the LCD panel and backlight during assembly.
- Do not insert and plug out the input connector while the LCD panel is operating.
- Do not take apart the panel or frame from LCD module assembly or insert anything into the backlight unit.
- Do not keep the same pattern in a long period of time, it may cause image sticking on LCD panel. Can use shuffle content periodically if fixed pattern is displayed on the screen.
- Do not touch the display area with bare hands, this will stain the display area.
- Pay attention to handle lead wire of backlight, that is not tugged in connect with LED driver.
- Do not change variable resistance settings in LCD panel, it may cause not satisfy of LCD characteristics specification.
- The surface of LCD panel's polarizer is very soft and easily scratched, please use a very soft dry cloth without chemicals for cleaning.
- To avoid the static electricity to damage the CMOS LSI, the operator should be grounded when in contact with the LCD panel, and also to all electrical equipment.
- Need to follow the correct power frequency when LCD panel is connecting and operating, this can avoid damage to CMOS LSI during latch-up.
- Need to store the LCD panel indoor without the exposure of sunlight where the temperature is $25^{\circ}\text{C} \pm 5^{\circ}\text{C}$ and the humidity is below 60% RH.