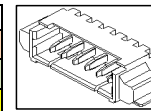
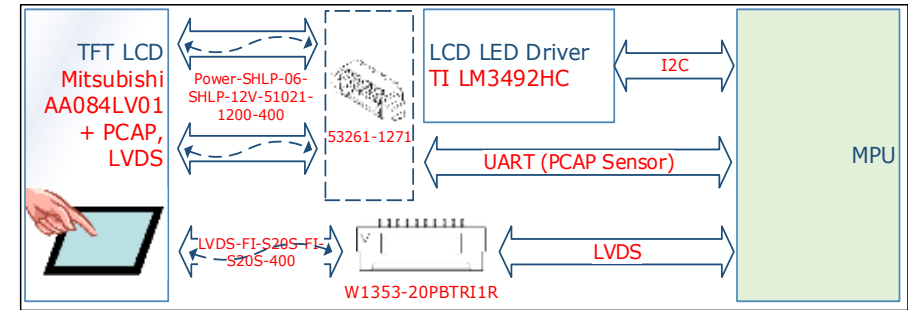


Part number	Power-SHLP-06-SHLP-12V-51021-1200-400
Type	LED cable + UART/USB for AA084XE11-CB1
Length	400 mm
Connector 1	SHLP-06
Connector 2	SHLP-12
Connector 2	51021-1200 or analog

Cable connector 1	SHLP-06
1	
2	
3	LED C1
4	LED A1
5	LED A2
6	LED C2
Cable connector 2	SHLP-12
1	Vdd
2	CKW
3	SC
4	GND
5	Din
6	Dout
7	
8	
9	Reset
10	D-
11	D+
12	Vusb

Cable Connector 3	51021-1200
1	Vdd
2	GND
3	Reset
4	Din
5	Dout
6	D-
7	D+
8	Vusb
9	LED C1
10	LED A1
11	LED A2
12	LED C2



PCB Connector	53261-1271
1	Vdd
2	GND
3	Reset
4	Din
5	Dout
6	D-
7	D+
8	Vusb
9	LED C1
10	LED A1
11	LED A2
12	LED C2