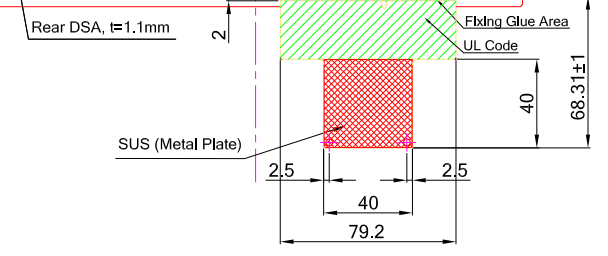
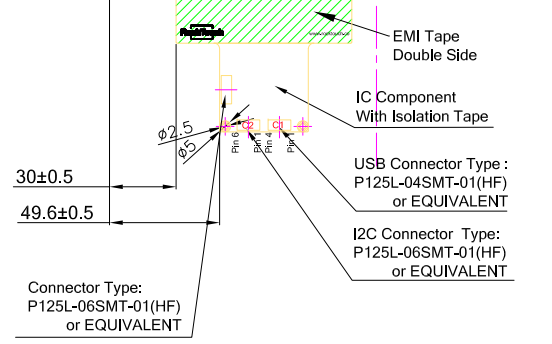
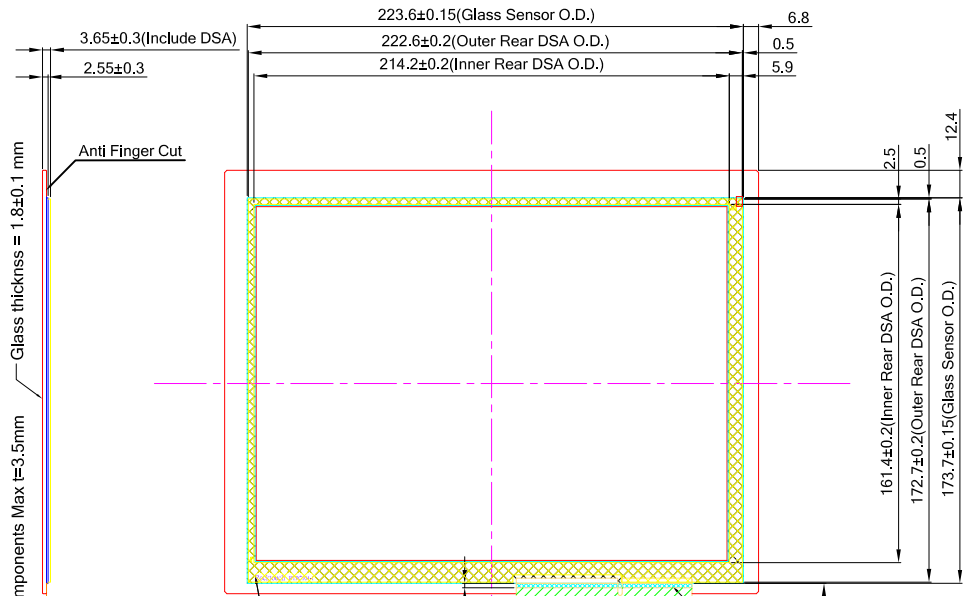
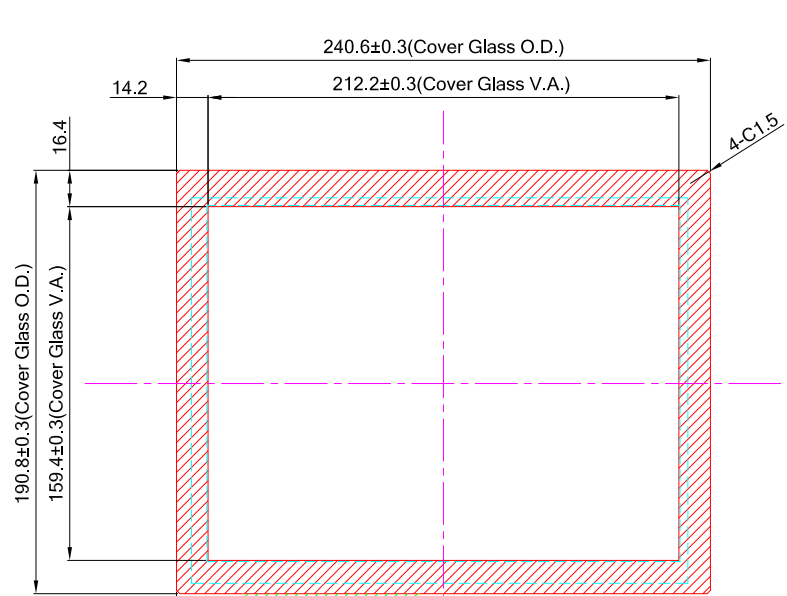


1 2 3 4 5 6 7 8

Front VIEW

Back VIEW



C1: Pin Define for USB 4 pin		C2: Pin Define for I2C 6 pin	
Pin 01	GND	Pin 01	GND
Pin 02	D-	Pin 02	SDA
Pin 03	D+	Pin 03	SCL
Pin 04	VDD	Pin 04	VDD(5V)
		Pin 05	INT
		Pin 06	RST

- Spec:
- General O.D. Tolerance : ±0.3
 - Border Type : Matte
 - Glass Type : C.S.
 - Surface Treatment : None
 - Background Printing : PMMA
 - Logo Printing : None
 - Transmittance Level : >85%
 - Important Notes :
- Color 1 : Pantone Black C

- Note:
- Distance between LCD and Touch need to have minimum 1 mm otherwise thinner dimension can cause noise problem between LCD and touch screen
 - If customer put a front conductive bezel all around we need to have minimum thickness of 2mm, if the thickness is lower can cause interference
 - Refer to the integration guide to avoid any integration noise issue
 - Before mass production customer needs to ask custom firmware for his final machine

Customer Approval		Part Number		RTPC104-0001-C		#00	
Date		Rev	Date	Person	Description		
Company		v4	20211203	Matt	Modify Rear DSA Information		
Name		v3	20210628	Jeff	Change Rear DSA from 4 stripe to L Shape		
		v2	20210622	Jeff	Add Rear DSA 4 Stripe		
		v1	20210321	Jeff	Move COF from Right Side to Left Side		
Signature		Date	Design By	Date	Check By	Date	Approved By
		First Drawing	20201014	Jeff			

1 2 3 4 5 6 7 8

A
B
C
D
E
F

A
B
C
D
E
F