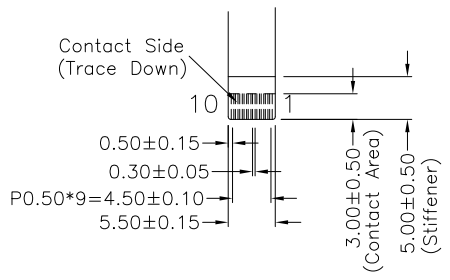
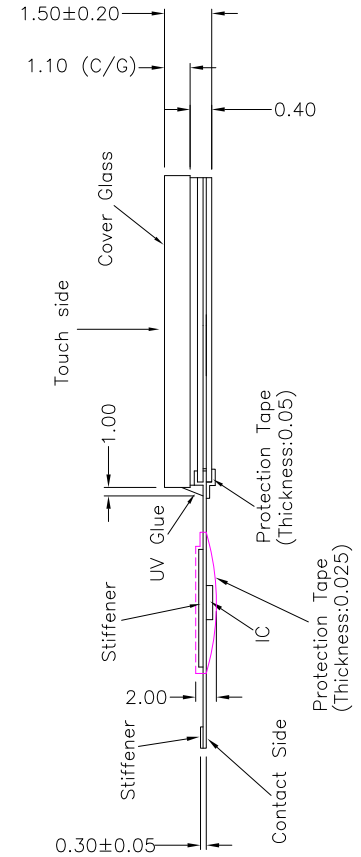
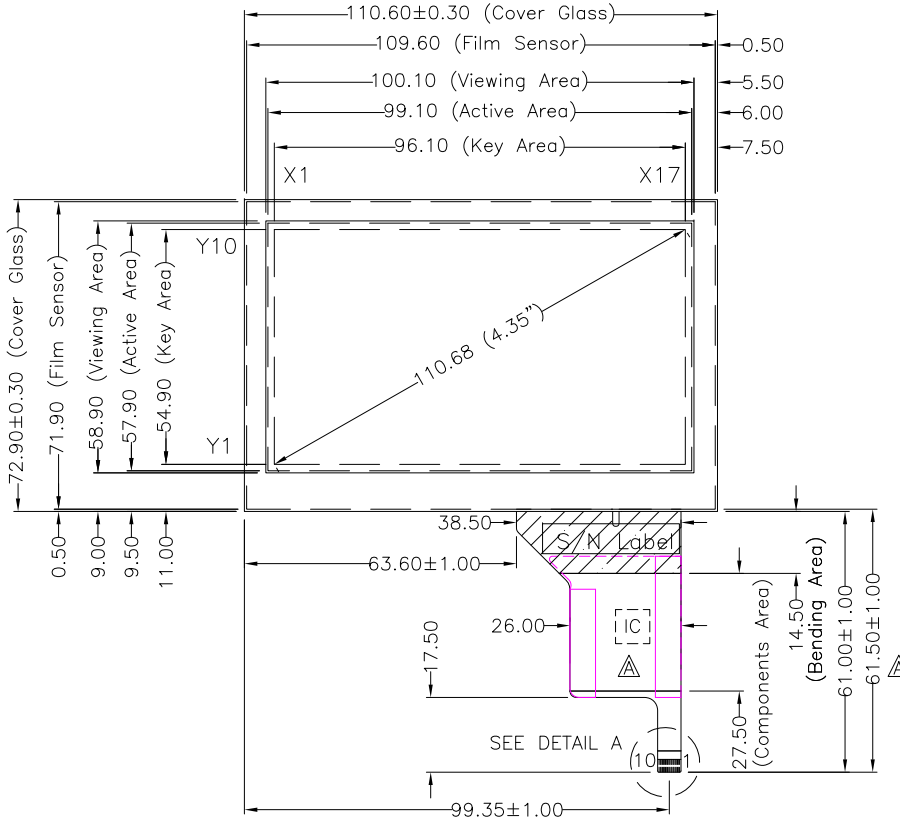


Touch Side View

PIN ASSIGNMENT	
PIN#	DESIGNATION
1	5V
2	D-
3	D+
4	GND
5	SCL/RXD
6	SDA/TXD
7	RESET
8	DETECT
9	INTHM
10	3.3V



DETAIL A

- NOTES:
1. INPUT MODE : PROJECTED CAPACITIVE
 2. OVERALL THICKNESS : 1.50±0.20mm
 3. COVER GLASS THICKNESS : 1.10mm
 4. FRONT SURFACE : CLEAR TYPE
 5. TAIL TYPE : GOLD PLATED FPC , ZIF
 6. OTHER SPEC : SEE APPROVAL SHEET
 7. PLEASE REFER TO AMT TOUCH SCREEN INTEGRATION GUIDES FOR SYSTEM MECHANICAL DESIGN AND ASSEMBLY METHODS



A	OCT 21, 2013	CHANGE IC AND MODIFY TAIL LENGTH	JERRY
NO.	DATE	DESCRIPTION	CHK
REVISION			
CHIEF OF DESIGN		APPROVED	Jerry
DRAWN BY	Andre	DATE	FEB 6, 2014

Apex Material Technology Corp.

TOLERANCES UNLESS SPECIFIED		DWG NO : P3015-C2-1-011
.XX	± 0.50	
.XXX	± 0.30	
ANGULAR		SCALE: N/S UNIT: mm
		SHT 1 OF 1