



Specification for  
GH602A(A1)



# SPECIFICATION

Product : LED Backlight Driver

Model Name : GH602A(A1)

GCCT Name : GCCT602AA

Supportable Dimming : External Analog

*May 2014*



**Specification for  
GH602A(A1)**



**Revision History**

No	Date	Revision	Page
	<b>May 2014</b>	<b>Engineering Sample Issued</b>	

## 1. Application

This specification is an users' guidance for the adoption of mating LED driver.  
The target TFT LCD Module is **LG 31"**, **LM310UH1-SLA1** which has not been built-in the LED driver for 8 CH type Backlight.

## 2. Electrical Characteristics

### 2.1 Absolute Maximum Ratings

Item	Symbol	Spec	Unit	Remarks
Input Voltage1	Vin1	21.6 ~ 26.4	V	
Input Voltage2	On/Off	5.25	V	
Operating Temperature	Top	-20 ~ 70	℃	
Storage Temperature	Tstg	-30 ~ 80	℃	
Relative Humidity	RH	80	%	

### 2.2. Control Signal

Pin No.	Symbol	Status	Action	Remarks
CN1 #9	On/Off	HIGH	LAMP-ON	2.4~5.25V
		LOW	LAMP-OFF	0.8V MAX

### 2.3. Output Characteristics

No.	Item	SYM	Condition	Min.	Typ.	Max.	Unit
1	Input Voltage	Vin	-	21.6	24.0	26.4	Vdc
2	Input Current	Lin	Vin=24.0V, DIM= 0 V	1.6	1.9	2.2	A
3	Output Current	Iout (Max)	Vin=24.0V, DIM= 0 V	90.0	100.0	110.0	mAmean
		Iout (Min)	Vin=24.0V, DIM= 5 V	17.0	22.0	27.0	
4	Backlight On / Off Control	ON	-	2.4	-	5.0	Vdc
		OFF	-	-0.3	-	0.8	

\* Output Voltage is greater than Input Voltage for at least 3V or more.

### 3. Interface

#### 3.1 CN1 Connector (Input) : 20022WR-14AML (YEONHO) or Equivalent

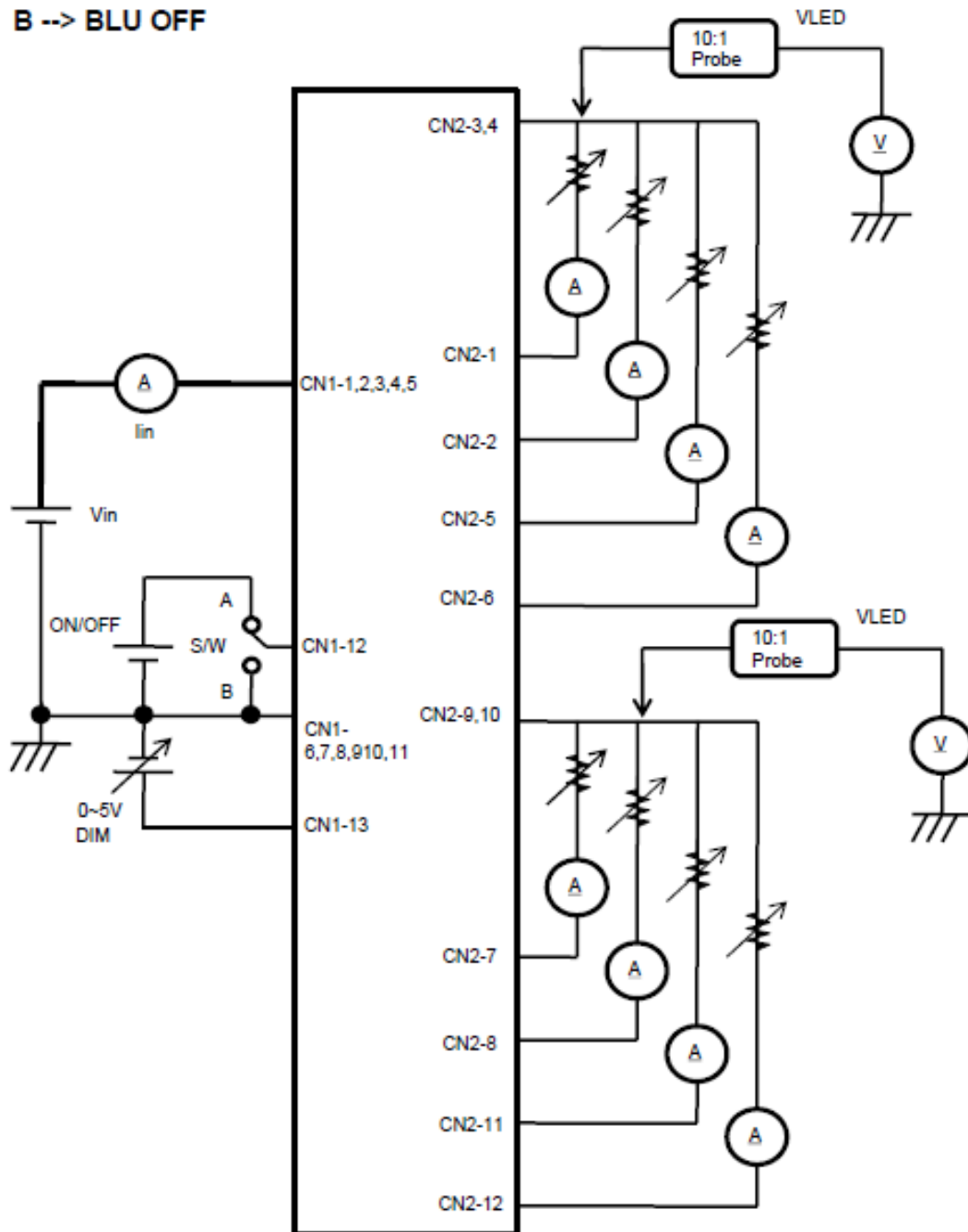
Pin No.	Symbol	Description
1,2,3,4,5	VIN	Voltage Input : 24V (typ)
6,7,8,9,10,11	GND	Ground
12	On / Off	LED Driver ON/OFF Control
13	A-DIM	0V (Max) ~ 5V (Min)
14	N.C	No Connection

#### 3.2 CN2 Connector (Output) : 20037WR-12 (YEONHO) or Equivalent

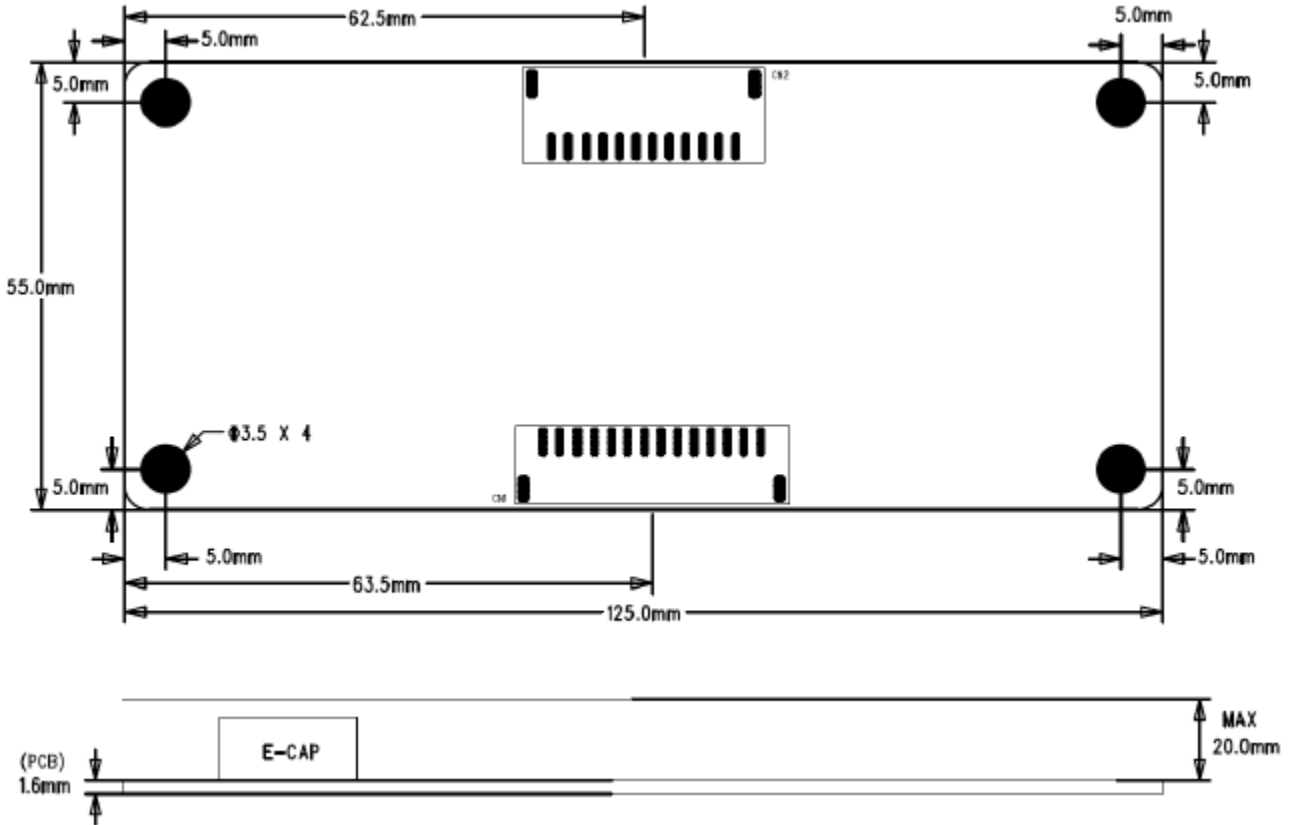
Pin No.	Symbol	Description
1	FB4	LED BAR1_Feedback 4
2	FB3	LED BAR1_Feedback 3
3	VLED	LED BAR1_LED Output
4	VLED	LED BAR1_LED Output
5	FB2	LED BAR1_Feedback 2
6	FB1	LED BAR1_Feedback 1
7	FB1	LED BAR2_Feedback 1
8	FB2	LED BAR2_Feedback 2
9	VLED	LED BAR2_LED Output
10	VLED	LED BAR2_LED Output
11	FB3	LED BAR2_Feedback 3
12	FB4	LED BAR2_Feedback 4

3.3 Test Circuit

- S/W : A --> BLU ON  
B --> BLU OFF

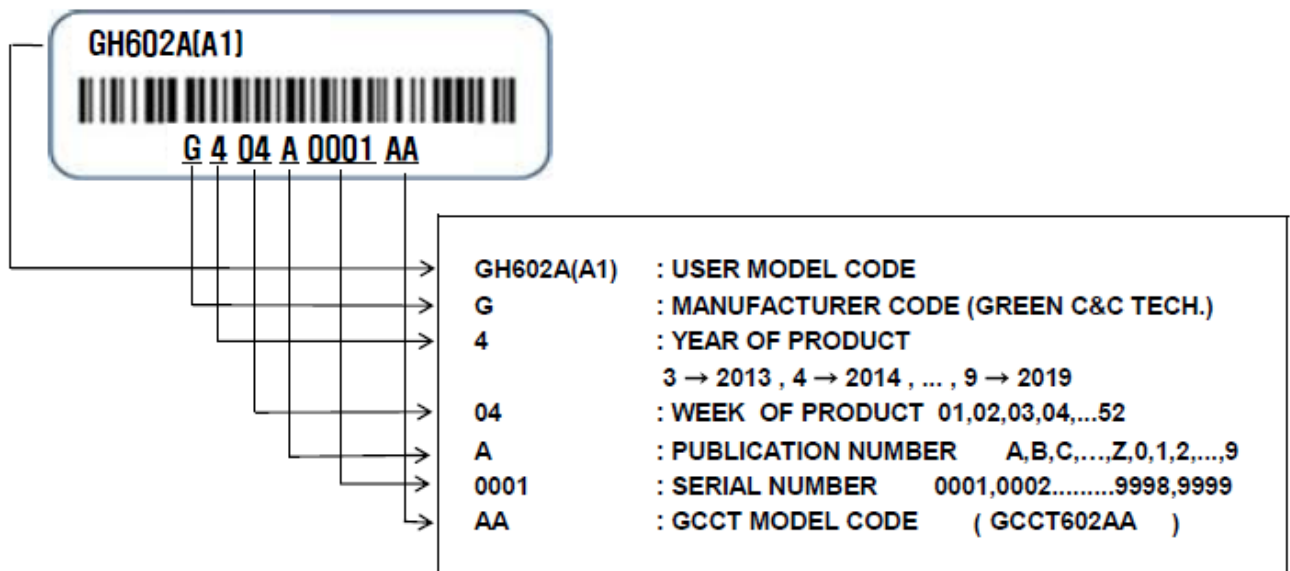


**4. Dimension (125 mm x 55 mm, Tolerance : +0.8mm, -0.2mm)**



**5. Product Label on the rear surface of PCB**

Label on the rear surface of PCB



## 6. Product Pictures

### Top View



### Bottom View

