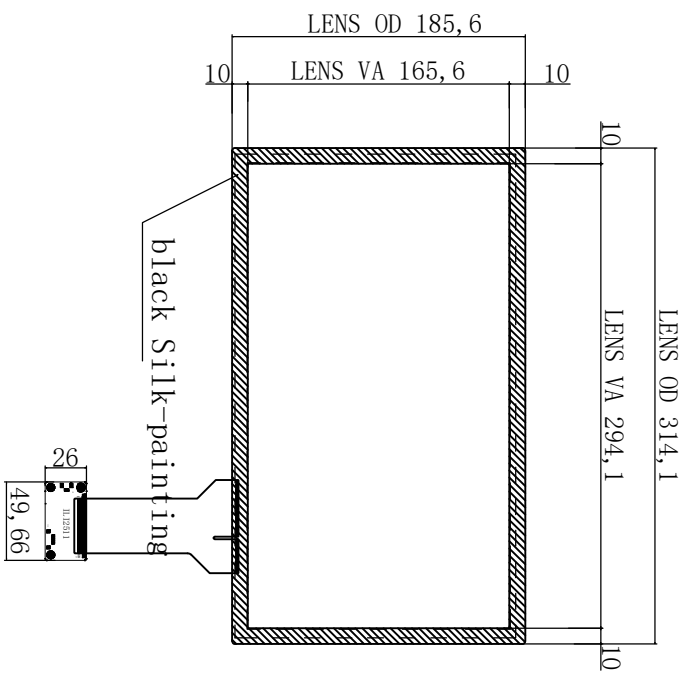


标记 (mark)	修改内容 (revised contents)	签名 (signature)	日期 (Date)
<1>			
<2>			
<3>			

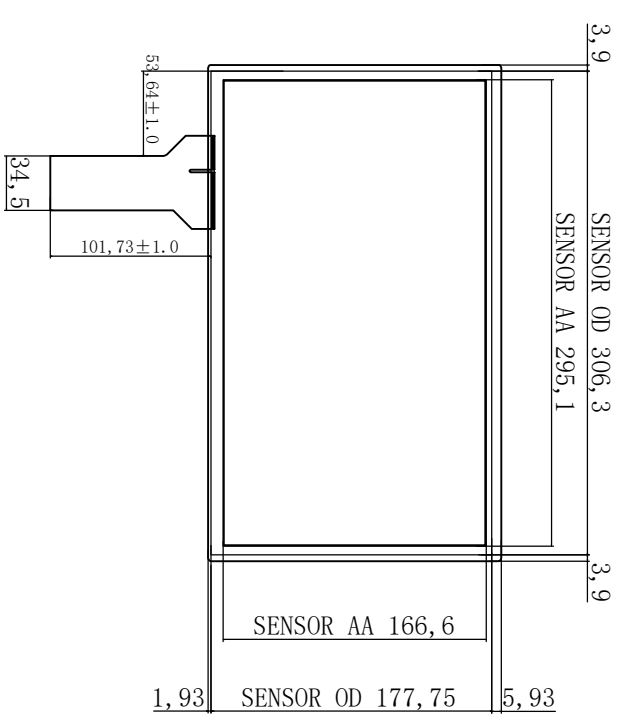
Front View



Side View



Back View



Datasheet:

1. IC: ILI 2511C2P1V1
Cover GLASS: 3.0mm
LOGA: 0.2mm
ITO SENSOR: 0.7mm 共用SENSOR 133001
FPC (PINCH=0.5mm)
Thickness: 3.9mm
2. Working Voltage: 5V
3. Light Transmission: ≥82%
4. Surface Hardness: 7H
5. Working Temp.: 10°C~60°C, <90%RH
6. Storage: 20°C~+70°C, <90%RH

Remarks:

1. Structure: G+G.
2. Dimensional Tolerance: ±0.30;
3. All material conform to RoHS;

SINOTELECTRONICS INC.			
TITLE: 产品编号	SNT-ITO-TPB-13.3-ILI		
Design By: 设计	Customerid: 客户编号	Unit: 单位	View: 投影方式
Checked By: 审核		mm	
Approved By: 批准	Date: 日期	2020.4.30	Scale: 比例
			1:1

A B C D E F G