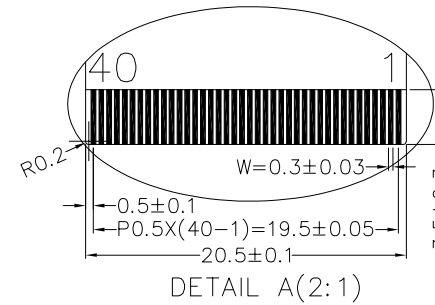
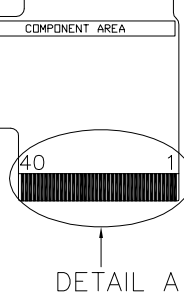
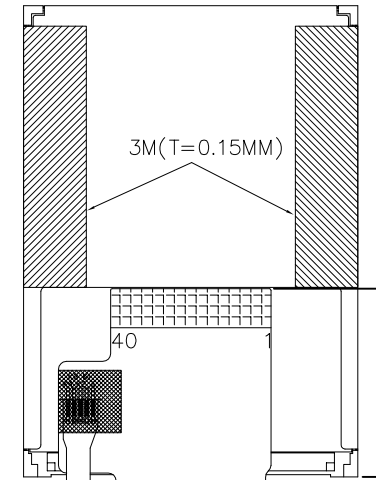
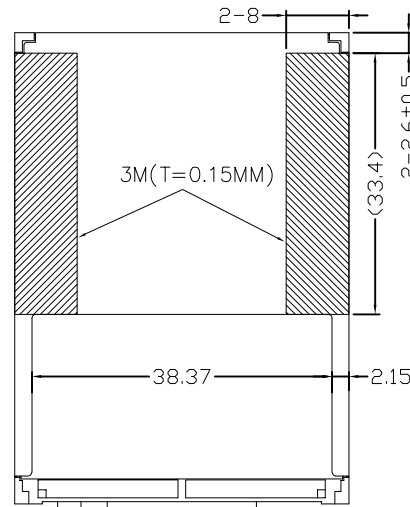
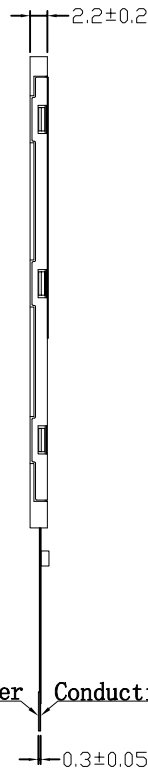
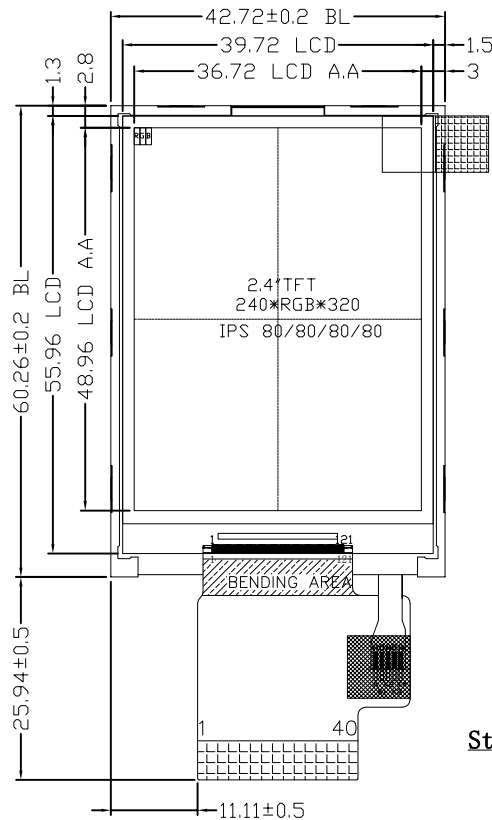
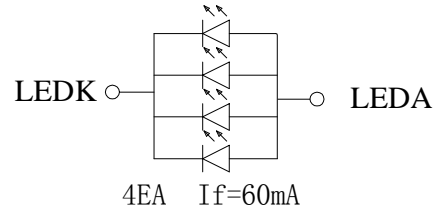


PIN ASSIGNMENT:

1	VDDD
2	IOVCC
3	DB17
4	DB16
5	DB15
6	DB14
7	DB13
8	DB12
9	DB11
10	DB10
11	DB9
12	DB8
13	DB7
14	DB6
15	DB5
16	DB4
17	DB3
18	DB2
19	DB1
20	DB0
21	SDA
22	DOTCLK
23	DE
24	HSYNC
25	VSYNC
26	NRD_E
27	NWR_RNW
28	DNC_SCL
29	NCS
30	NRESET
31	IM0
32	IM1
33	IM2
34	IM3
35	INSEL
36	GND
37	VCI
38	VPP_OTP
39	LED-A
40	LED-K



LED CIRCUIT DIAGRAM:



NOTES:

1. DISPLAY TYPE: 2.4" TFT, TRANSMISSIVE
2. VIEWING DIRECTION : U/L/D/R 80/80/80/80
3. Driver IC : ILI9340L
4. Top : -20° C ~ 70° C, Tst : -30° C ~ 80° C
5. GENERAL TOLERANCE: ±0.2
6. RoHs Complicant

DLC Display Co., Limited

www.dlcdisplay.com

DRAWN BY:	TITLE: DLC0240PZG	
CHECKED BY:	DWG NO:	
APPROVED BY:	DWG NAME:	UNIT: mm
CONFIRMED BY:	SHEET NO: 0F	